



# Panoramic Padel Court

BY AL MUSTAQBAL ALSAREEA SPORTS



[www.infinityindustries.ae](http://www.infinityindustries.ae)

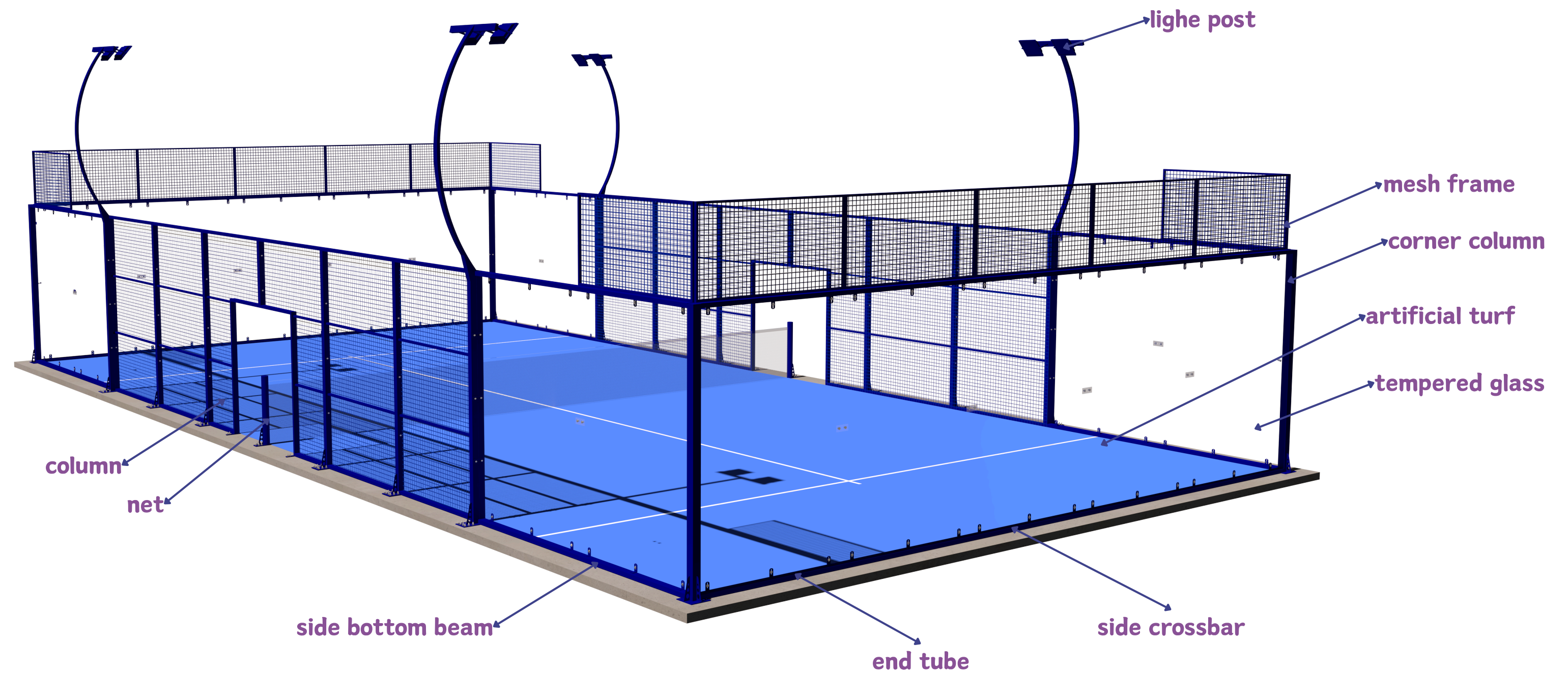
# Panoramic Padel Court Installation Instruction

- Installation instruction:**
- 1. Overall structure**
  - 2. Foundation layers**
  - 3. Court layout**
  - 4. Components installation :**
    - 4.1. Column installation**
    - 4.2. Lateral tube installation**
    - 4.3. overall plates installation**
    - 4.4. Tempered glass installation**
    - 4.5. Light post installation**
    - 4.6. Net installation**
    - 4.7. Additional installation**

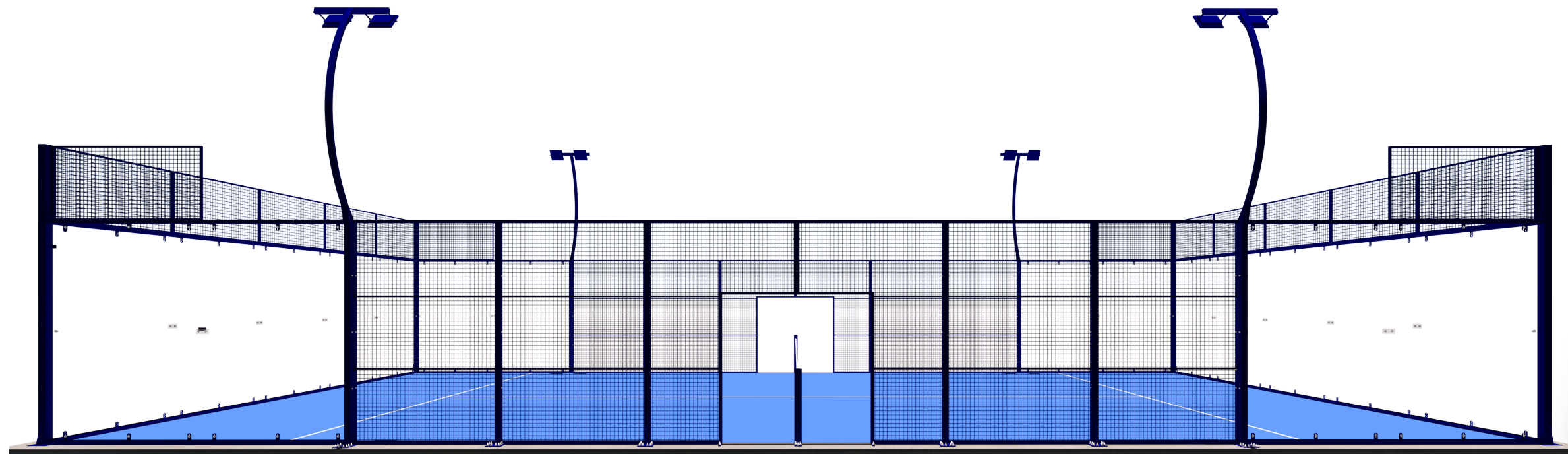
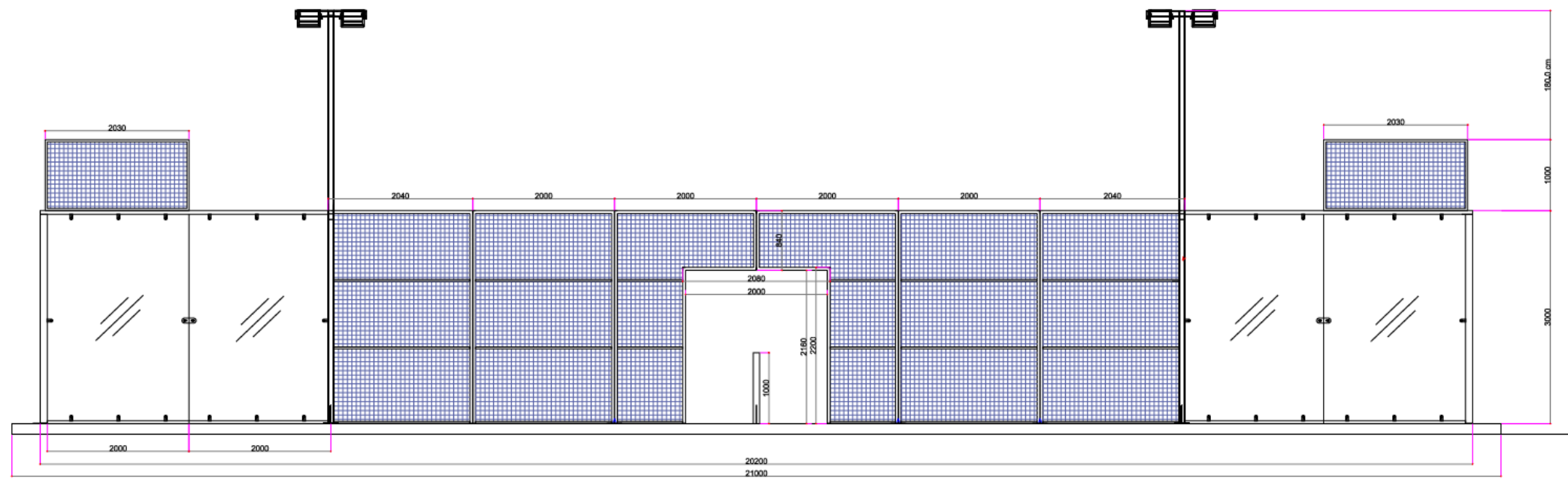
# 1-OVERALL STRUCTURE



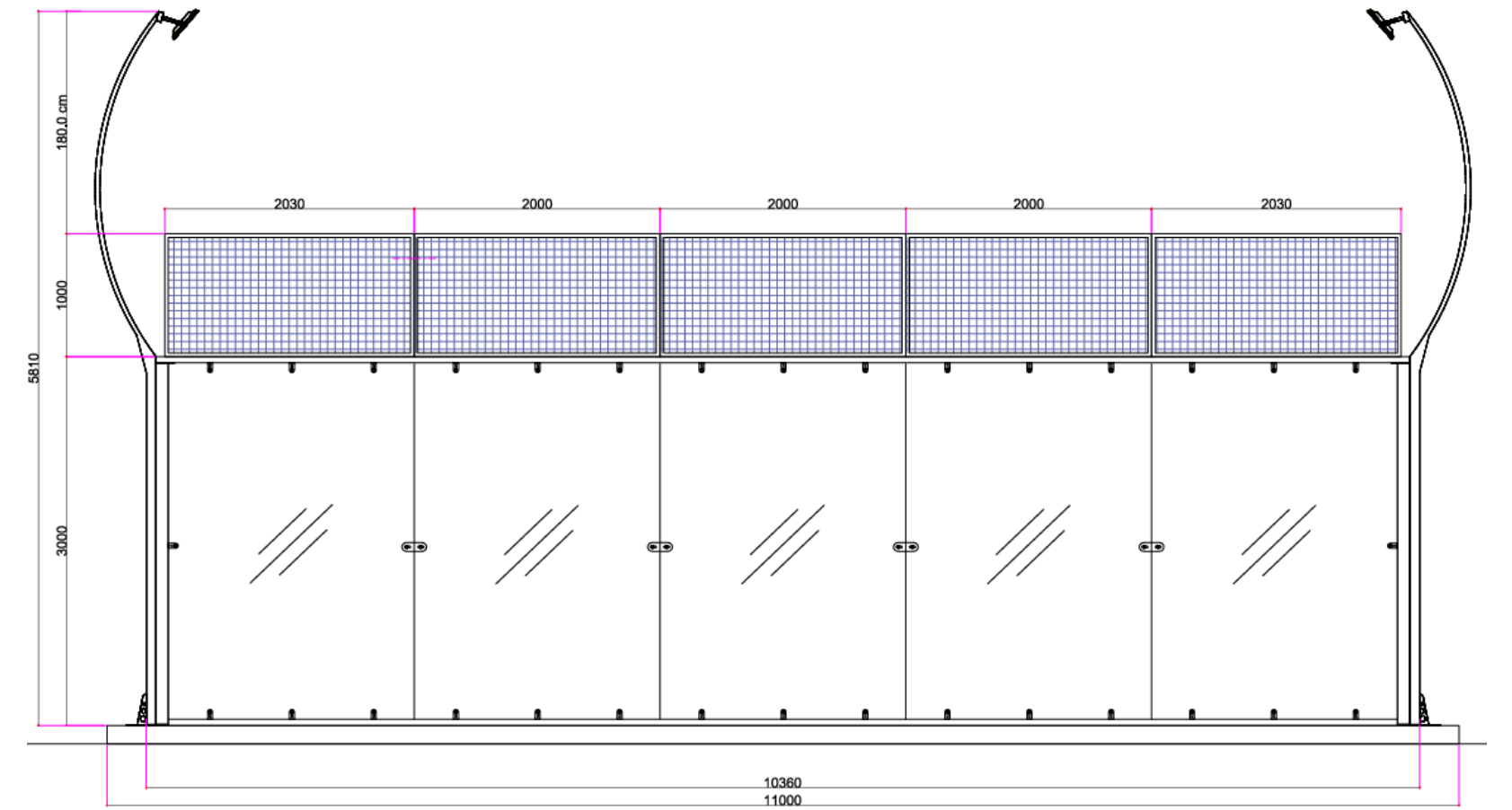
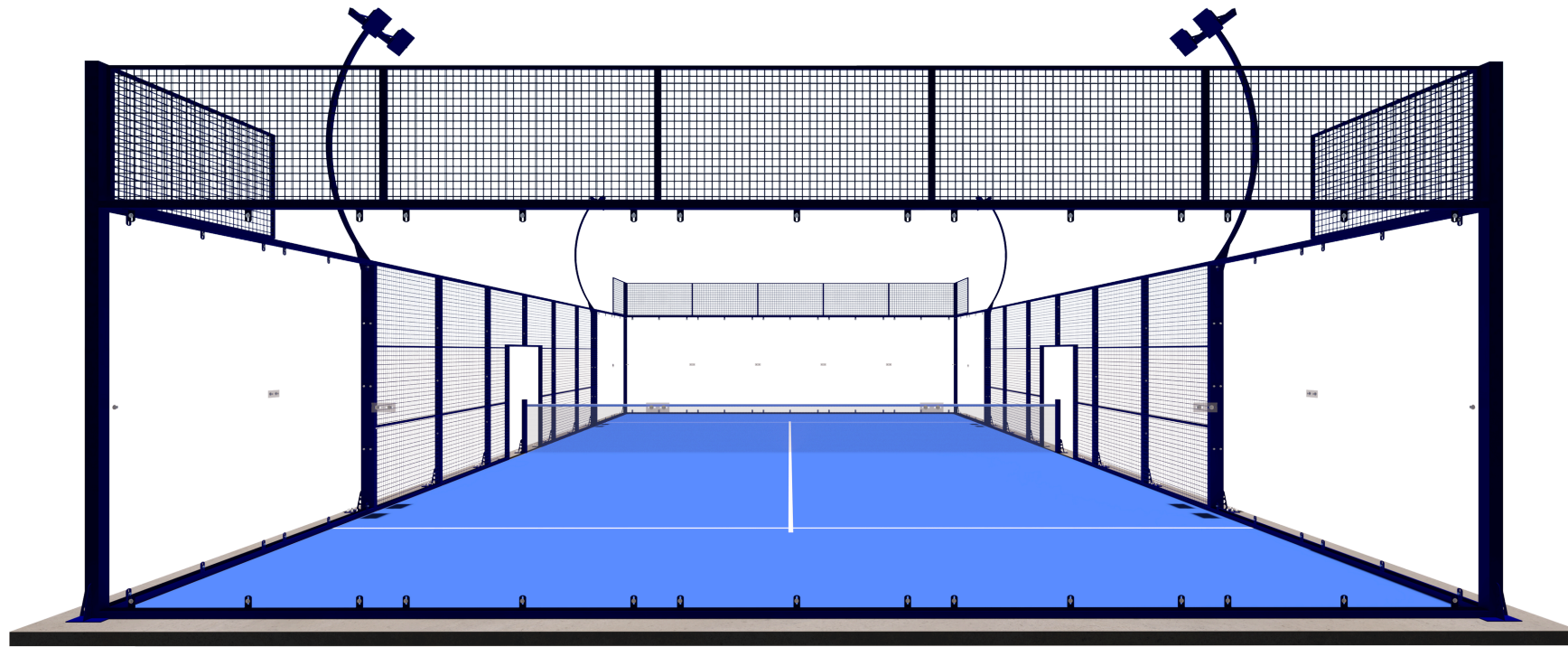
# 1-Overall structure



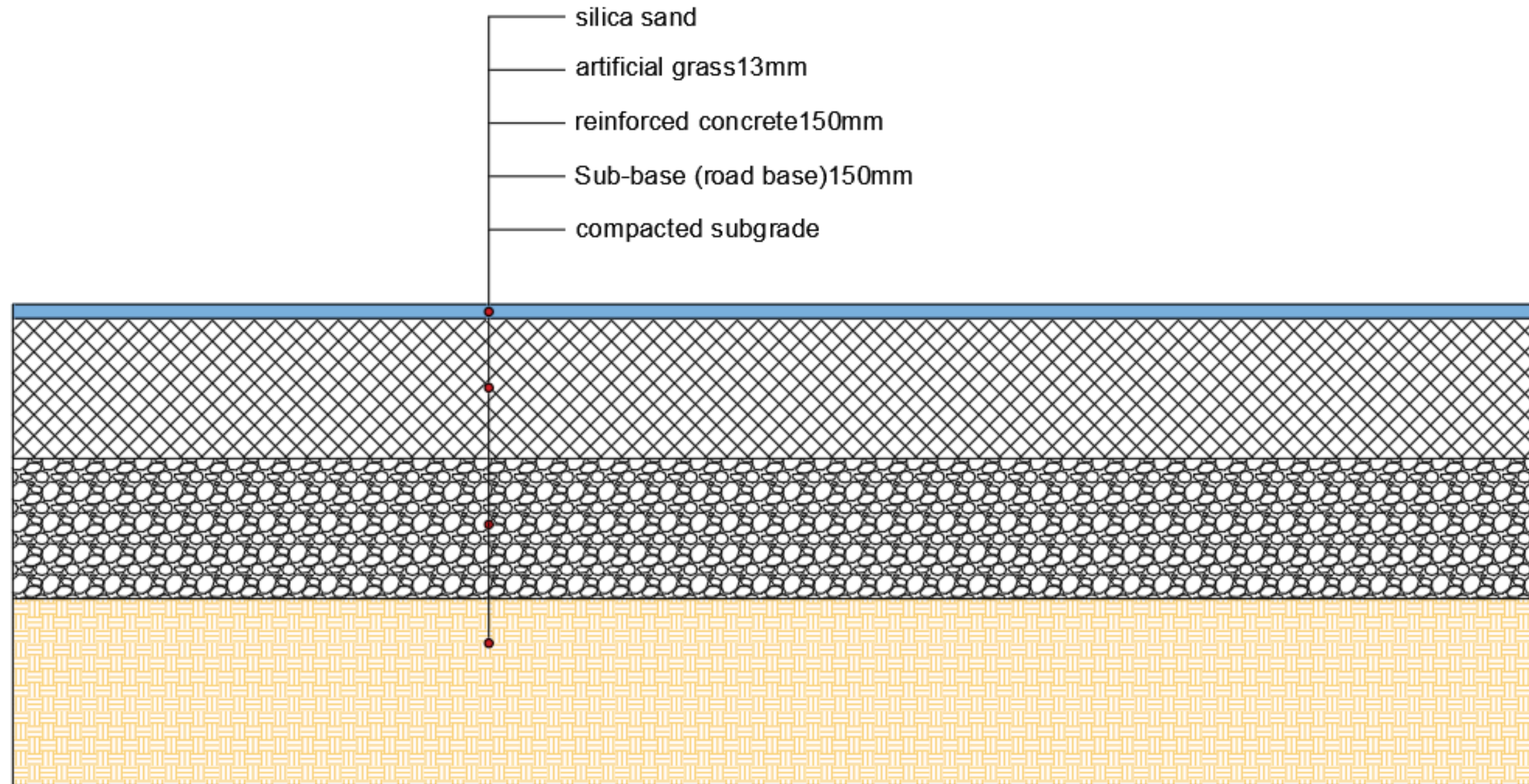
# 1-OVERALL STRUCTURE(FRONT ELEVATION)

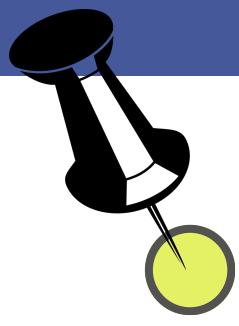


# 1-OVERALL STRUCTURE(SIDE ELEVATION)

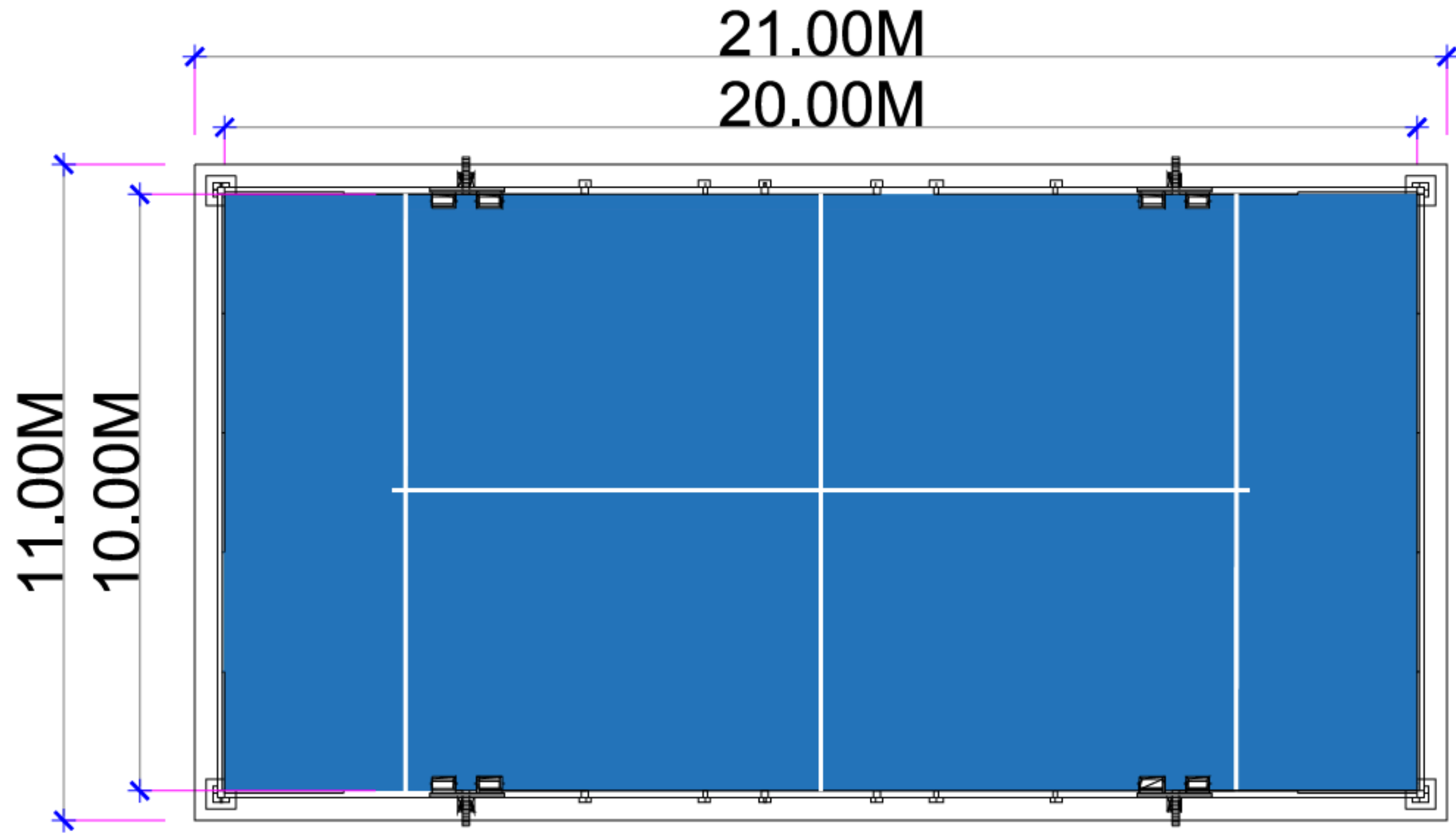


# 2-FOUNDATION LAYERS





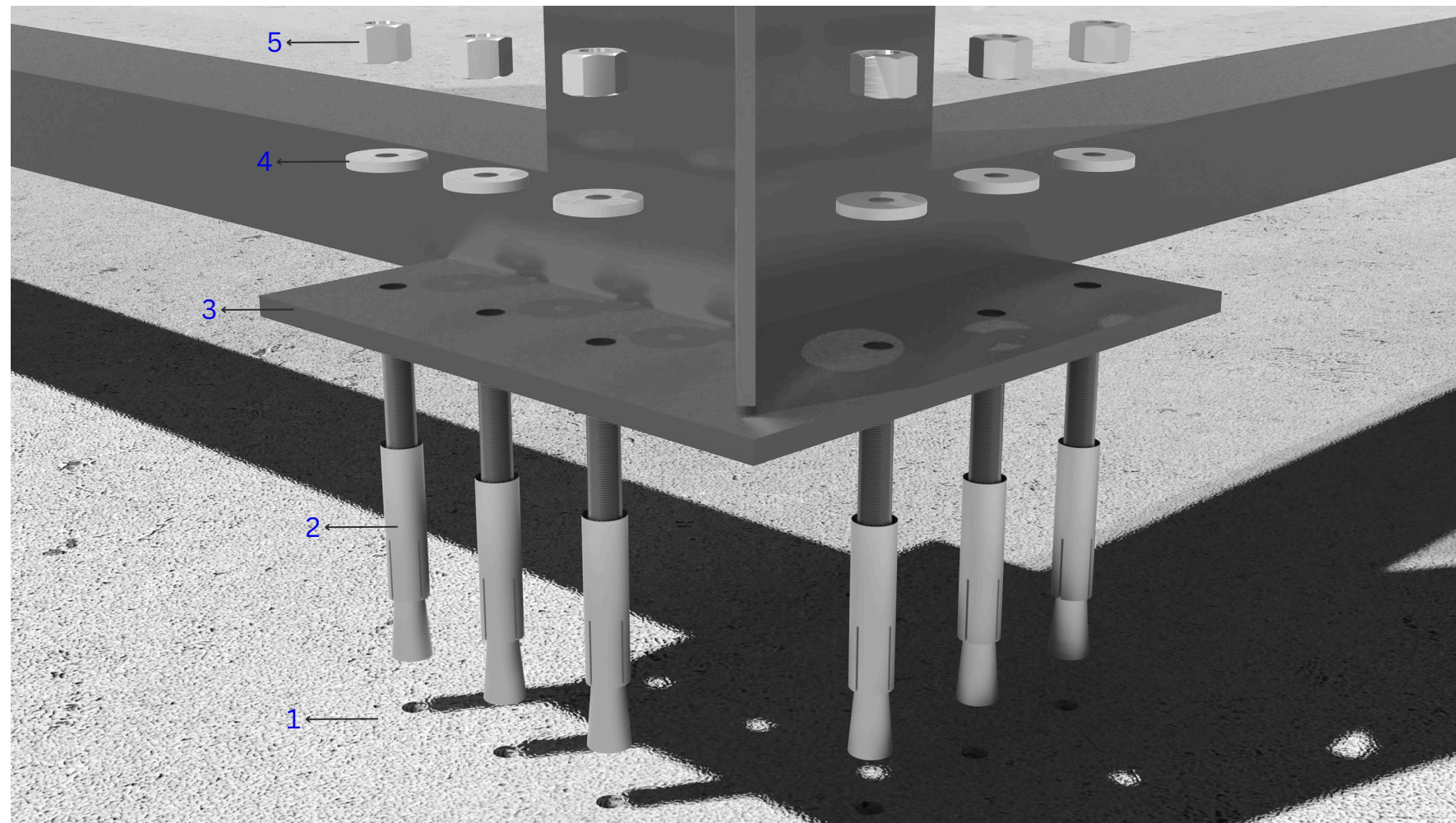
# 3-COURT LAYOUT





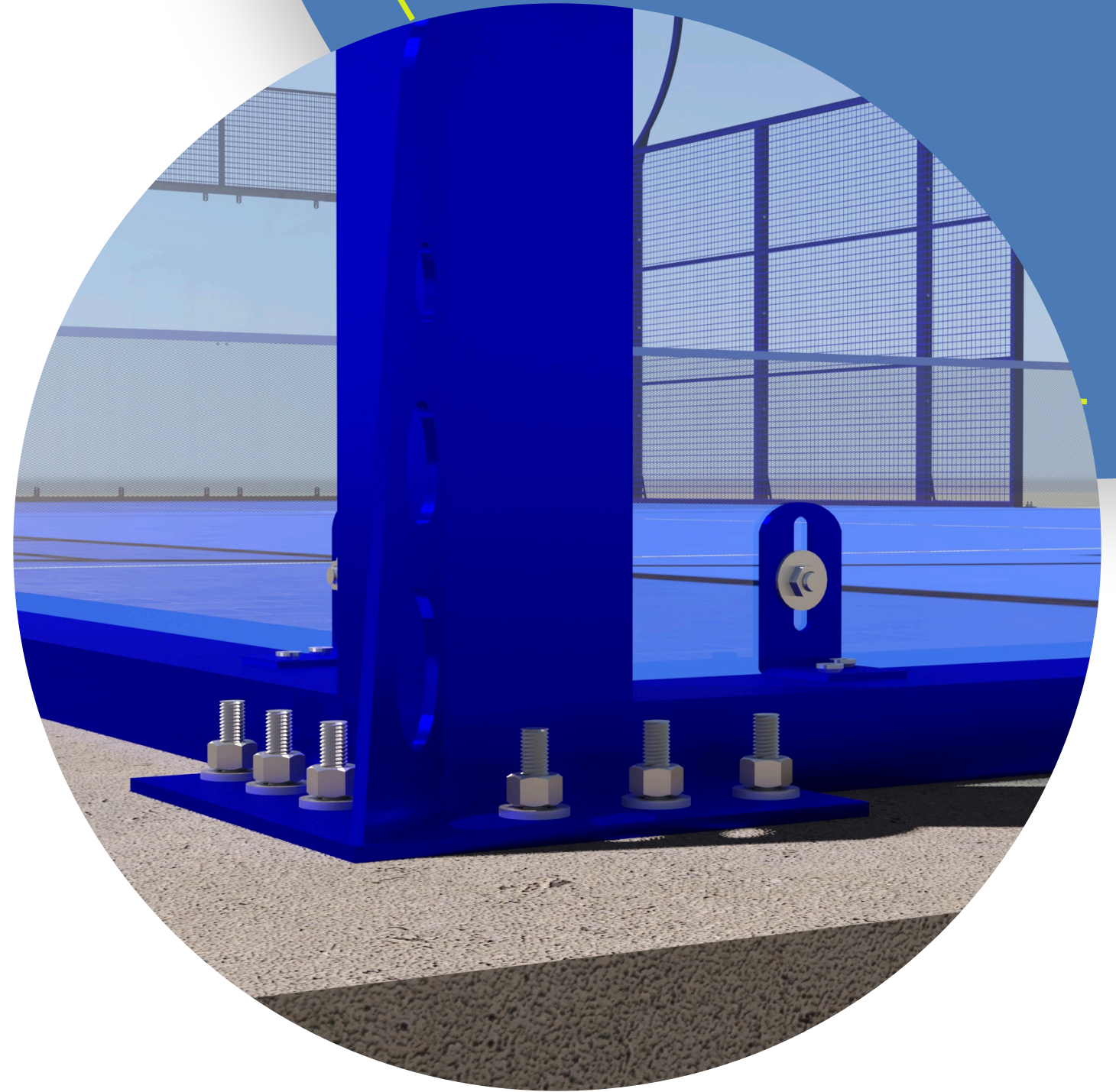
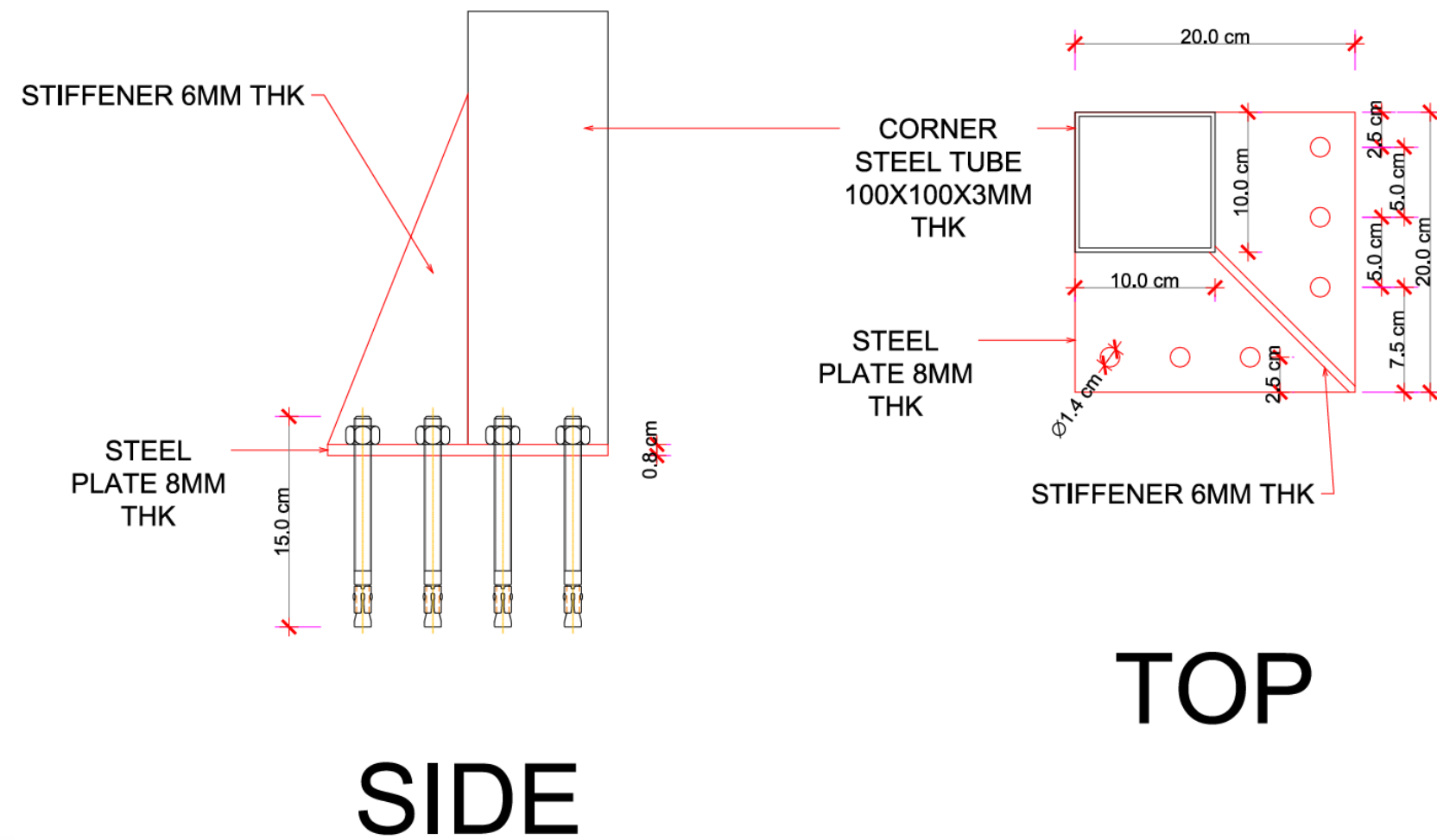
# 4 - COMPONENTS INSTALLATION

## 4.1. COLUMN INSTALLATION



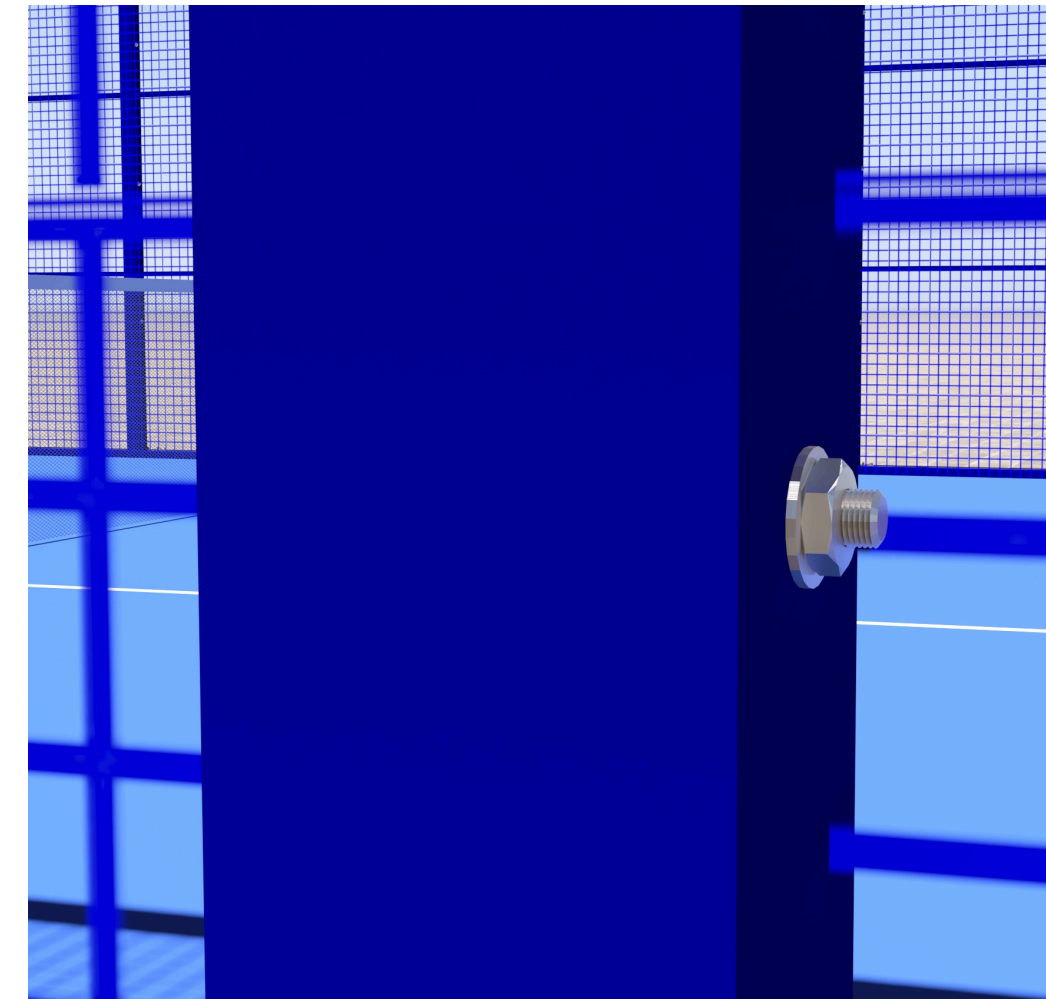
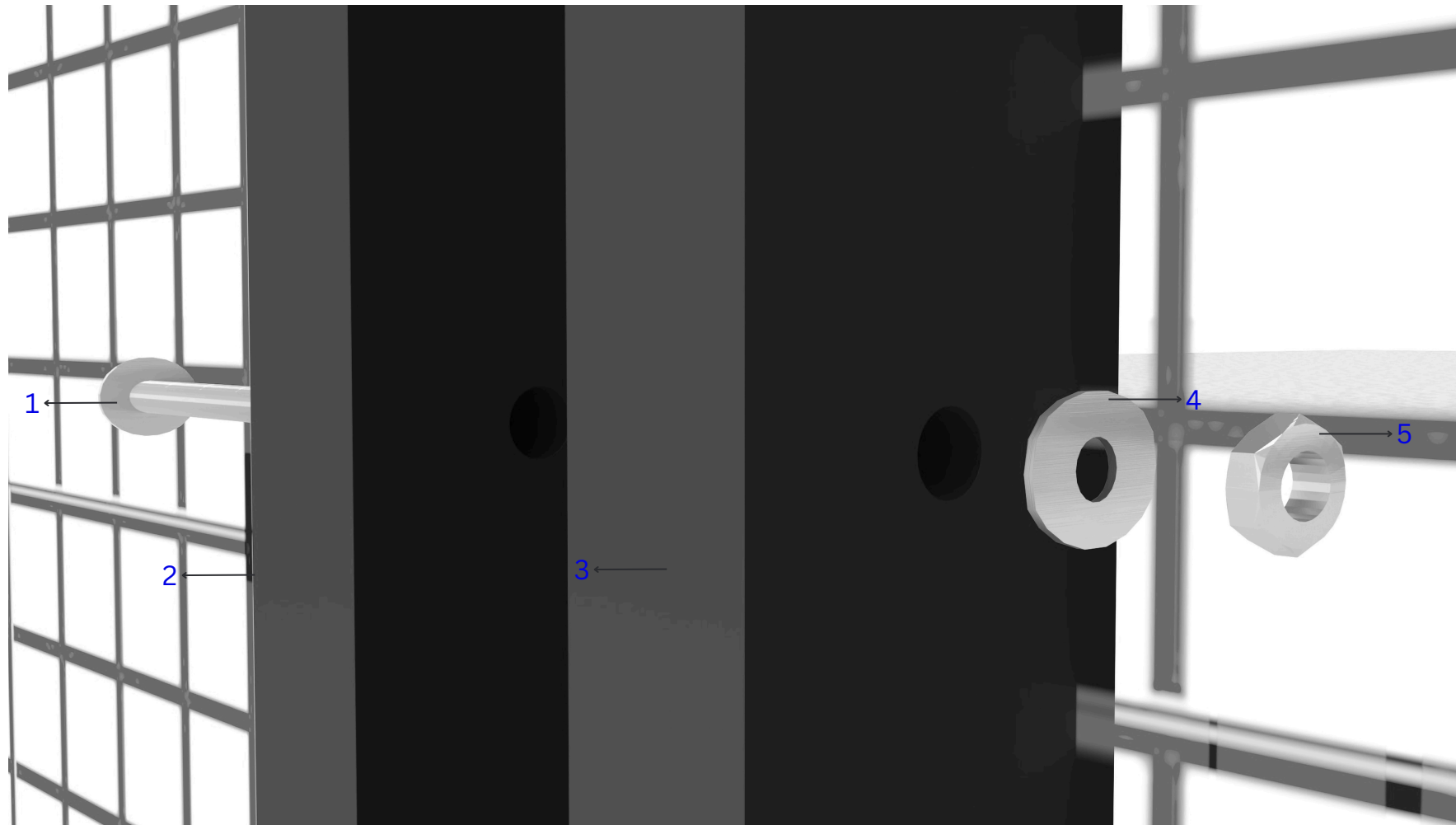
# 4-COMPONENTS INSTALLATION

## 4.1. COLUMN INSTALLATION



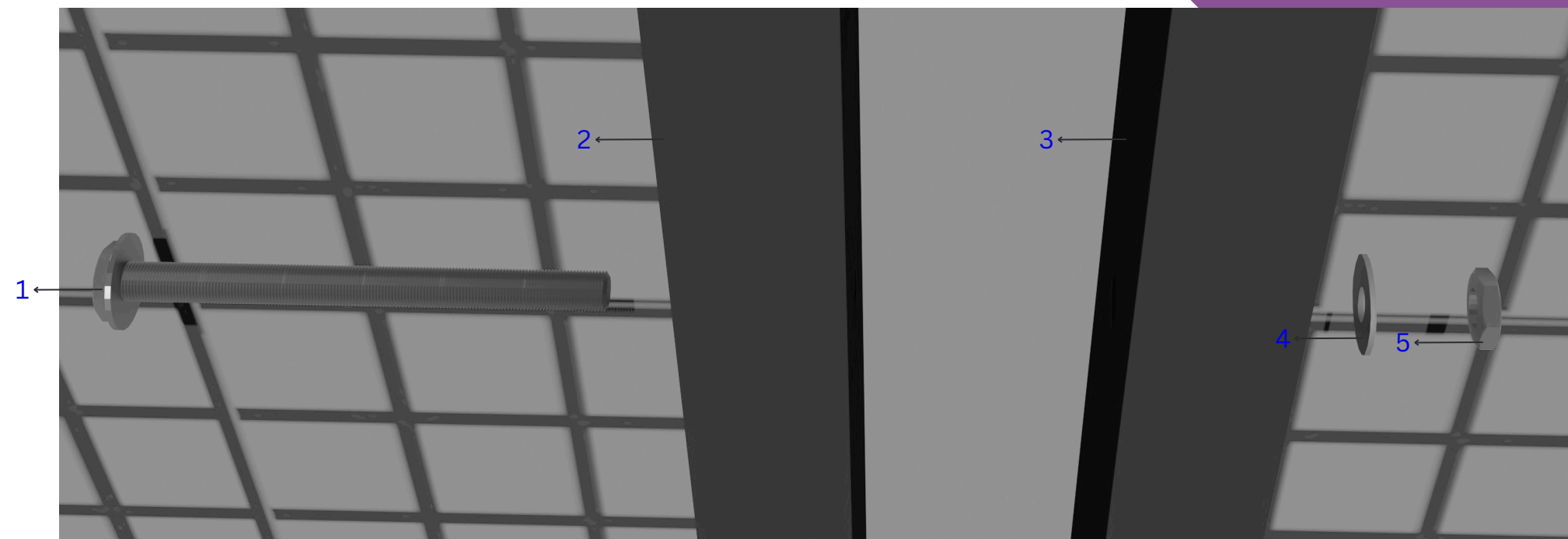
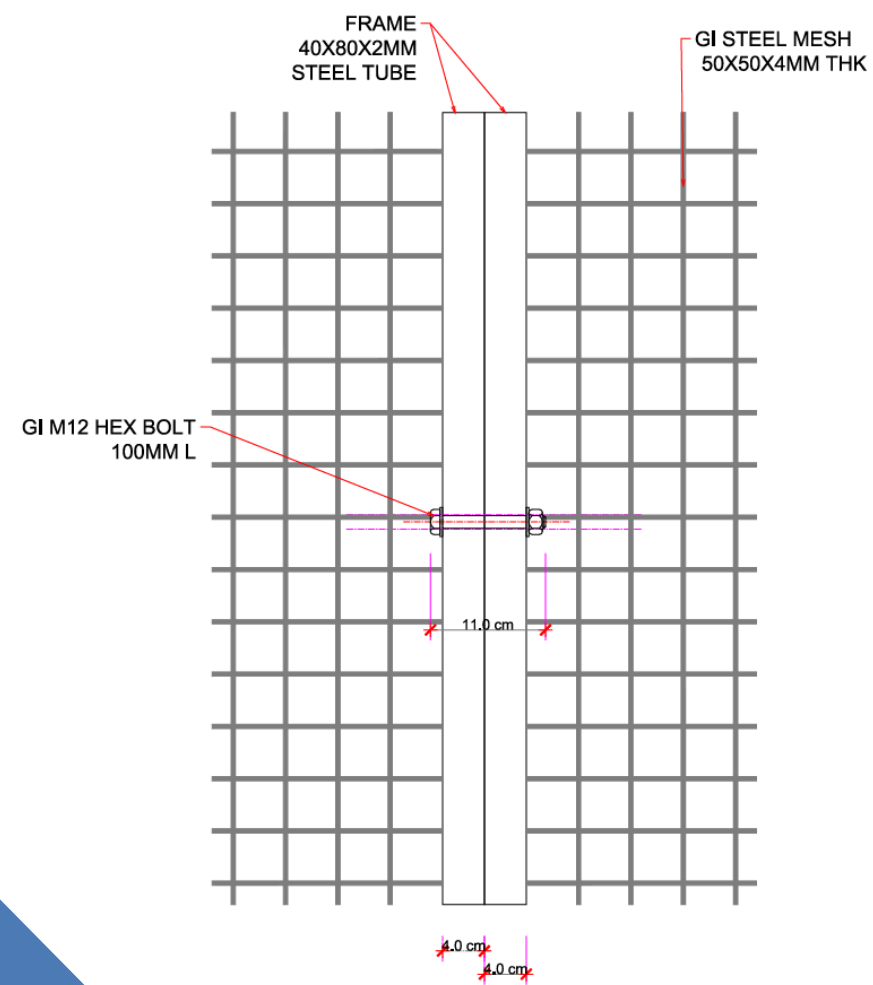
# 4-COMPONENTS INSTALLATION

## 4.2. LATERAL TUBE INSTALLATION



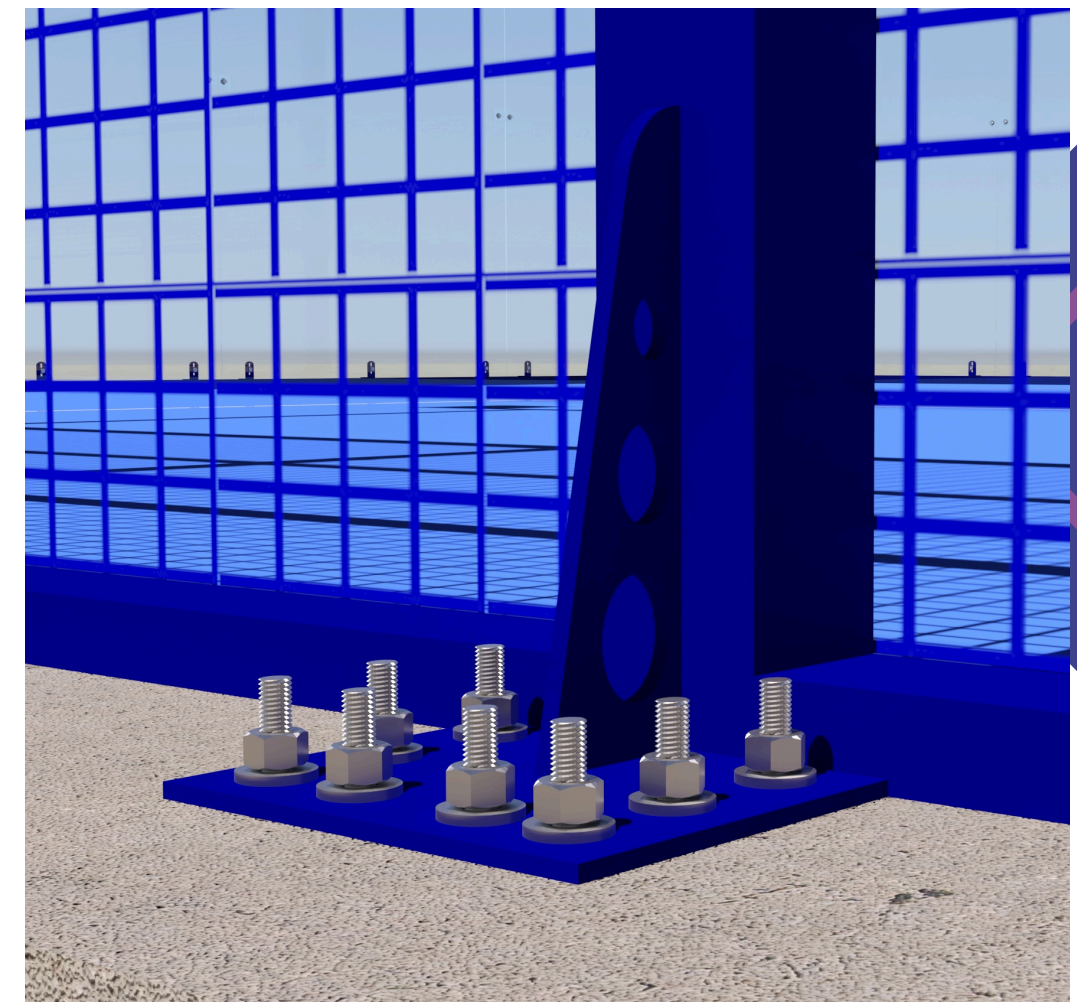
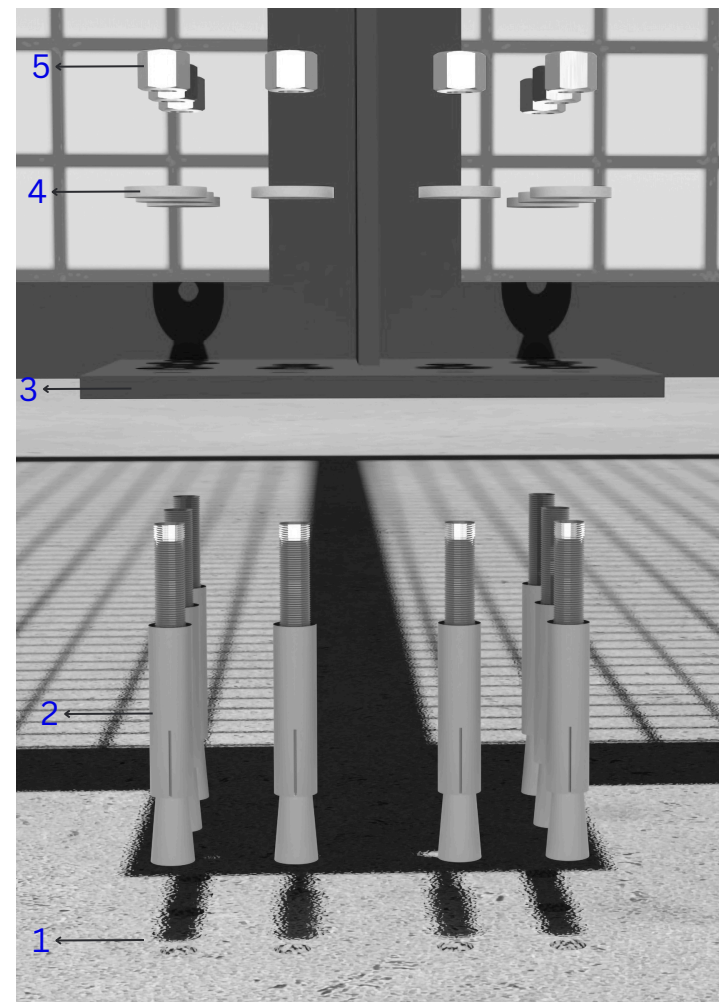
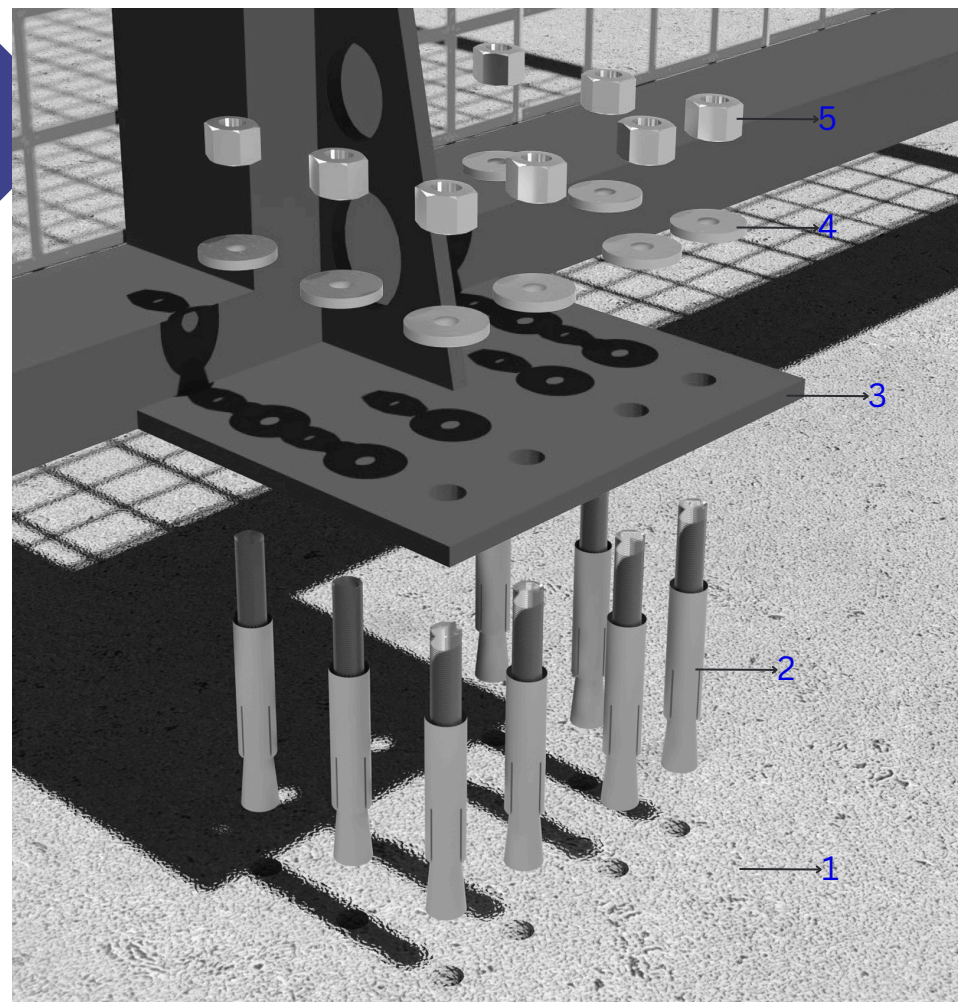
# 4 - COMPONENTS INSTALLATION

## 4.2. LATERAL TUBE INSTALLATION



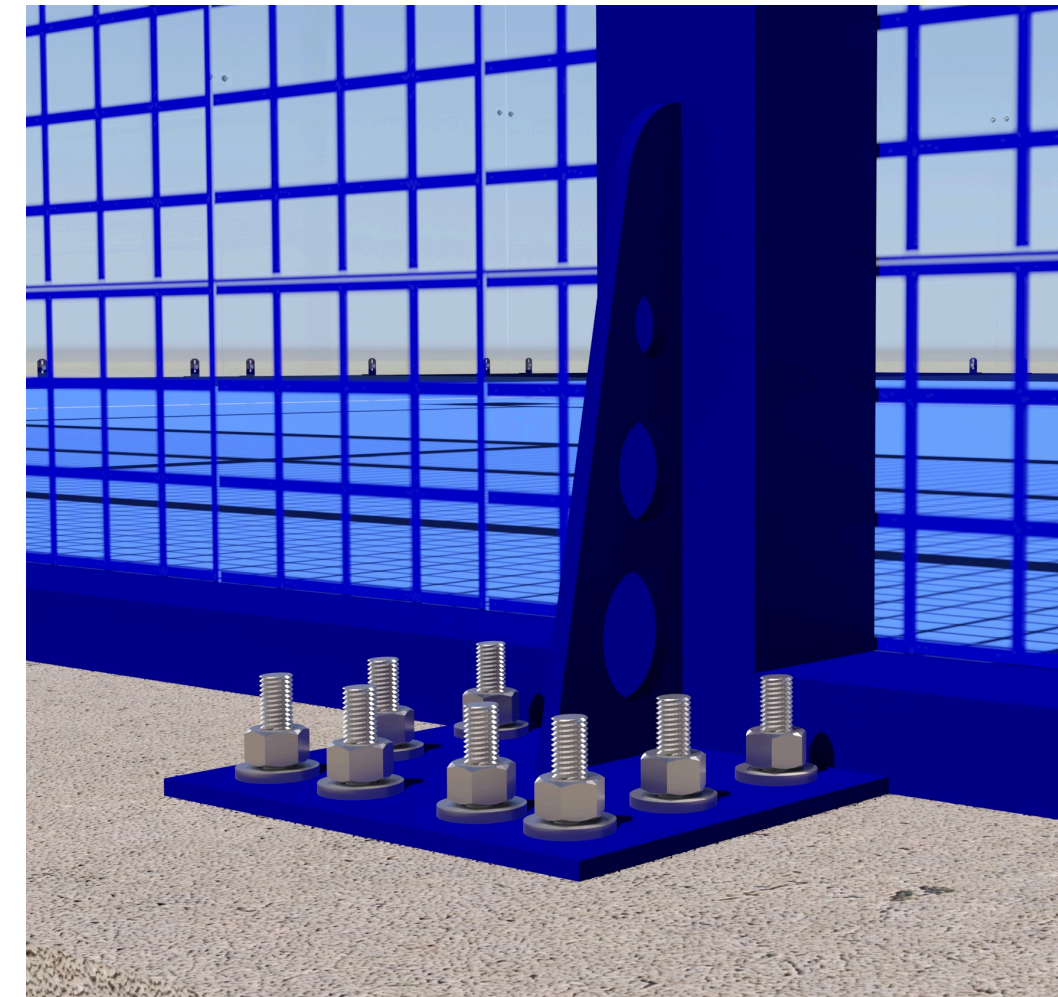
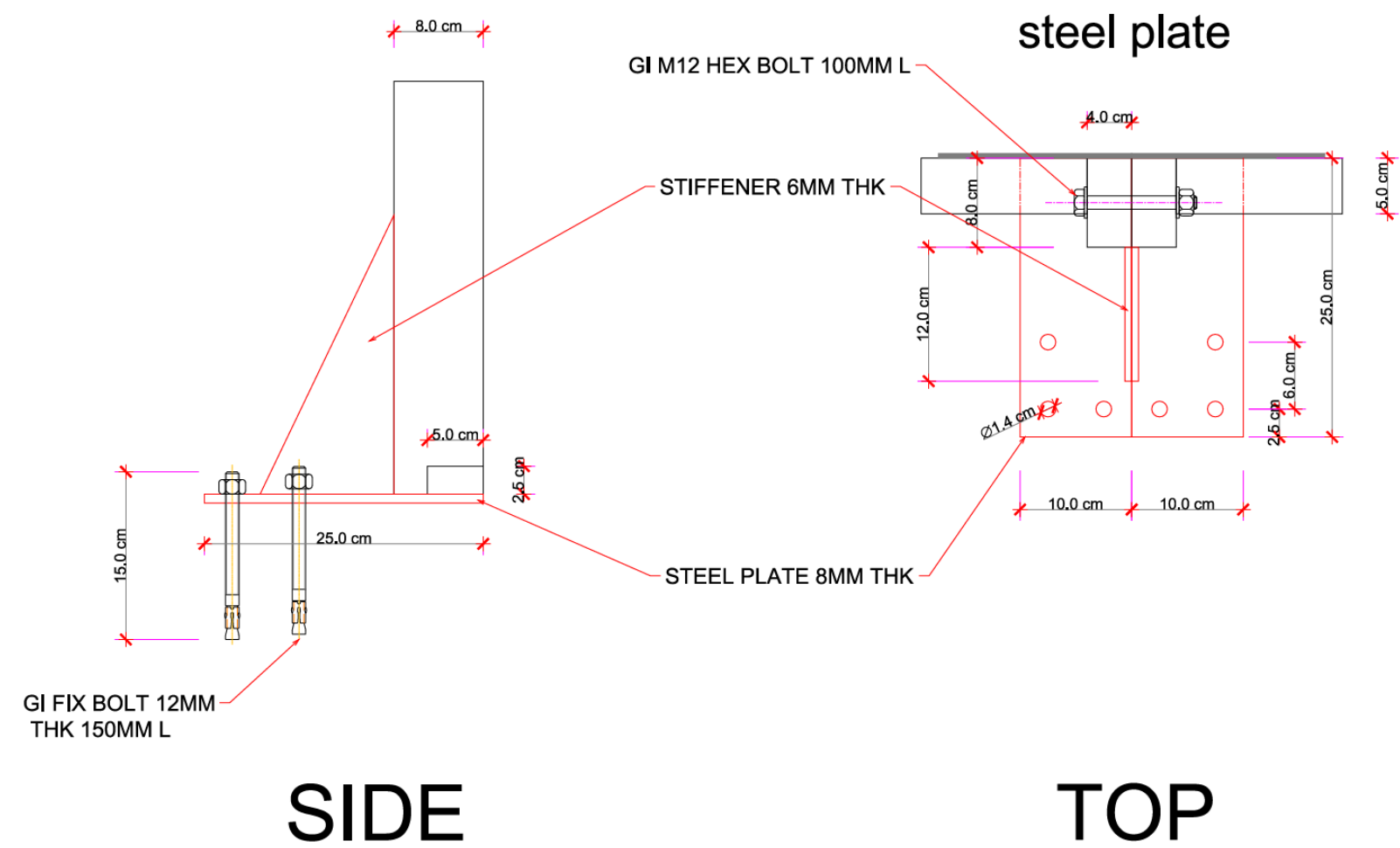
# 4-COMPONENTS INSTALLATION

## 4.3. OVERALL PLATES INSTALLATION



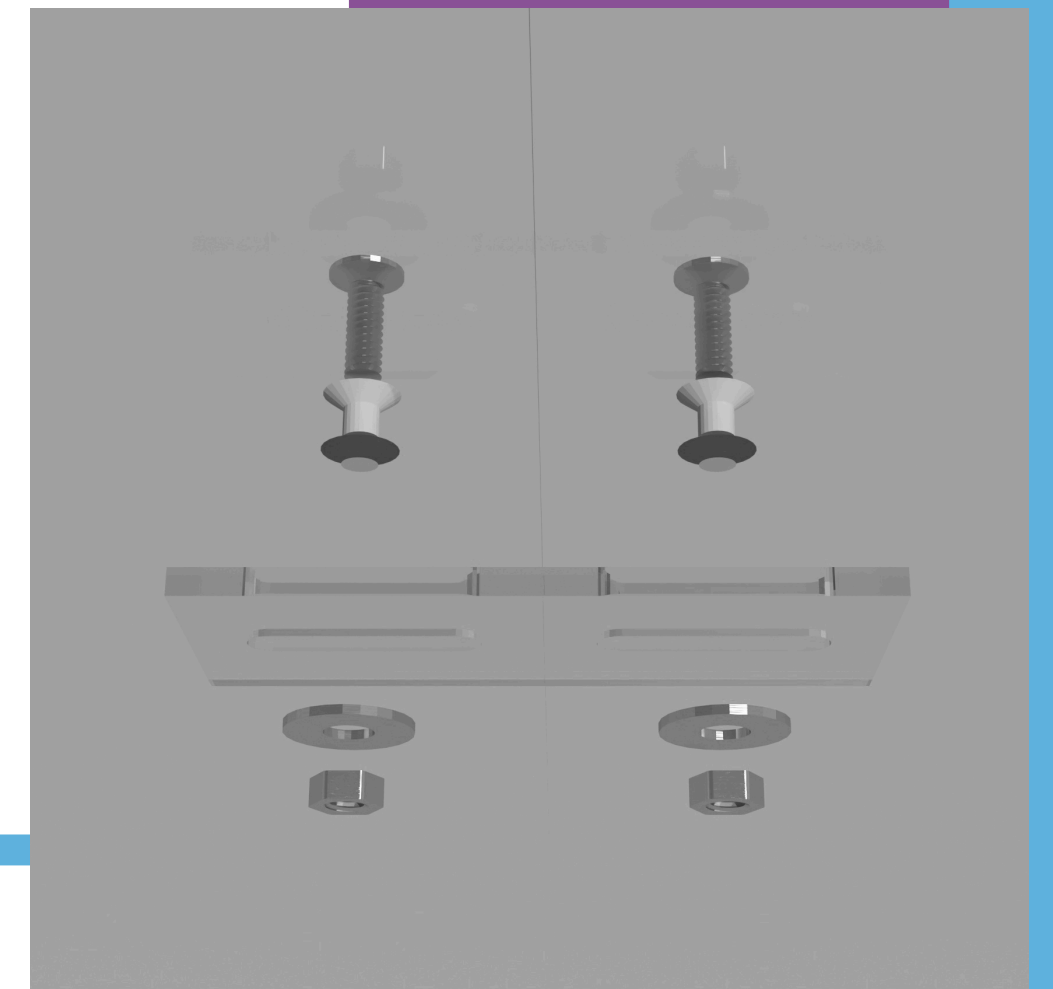
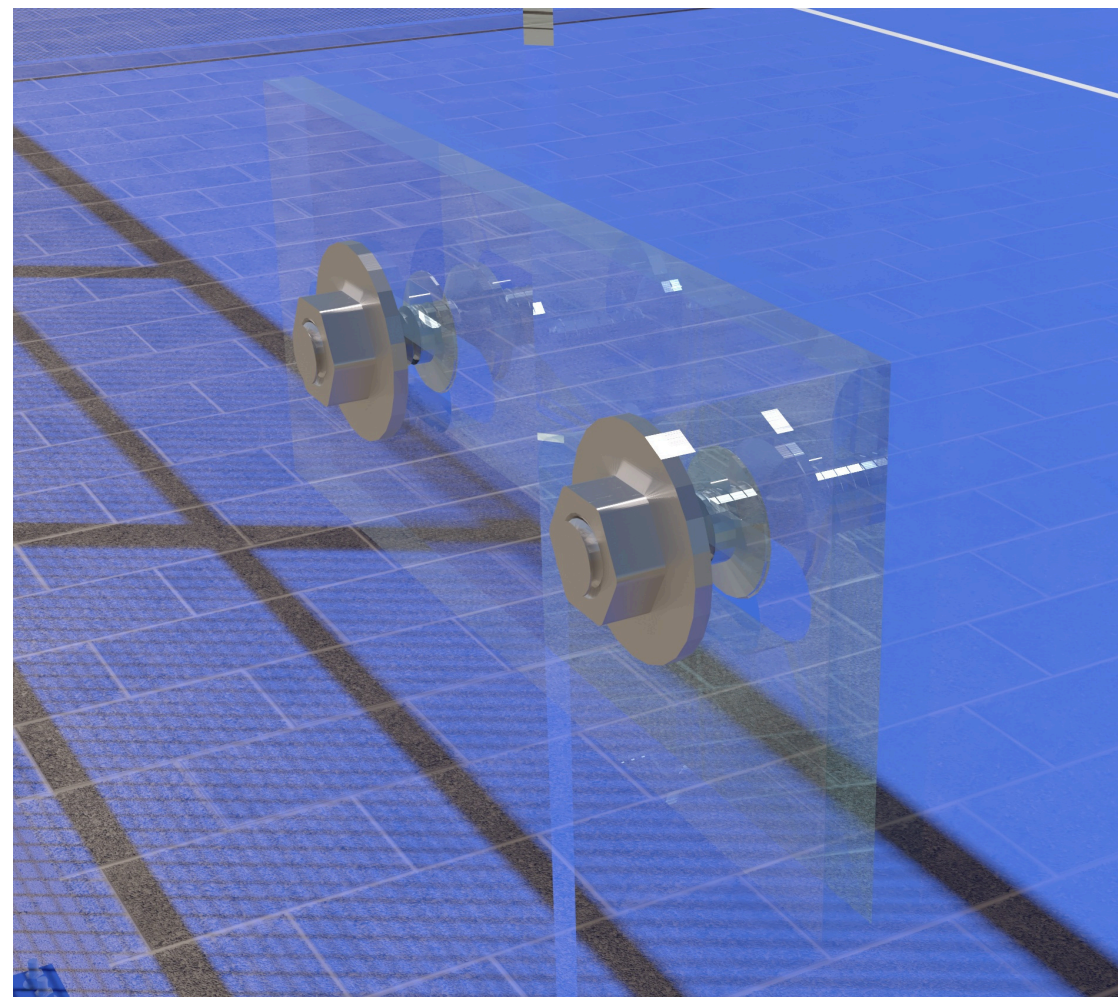
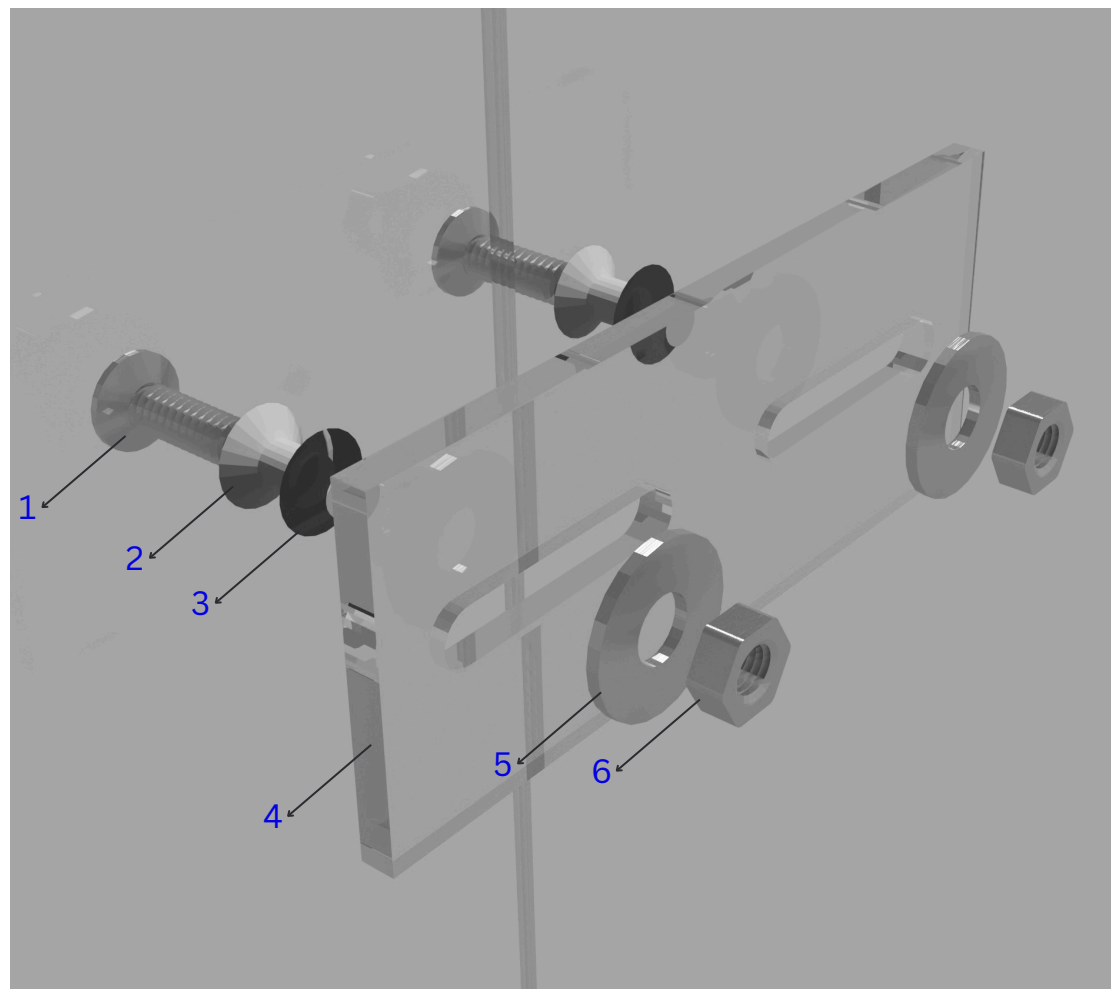
# 4-COMPONENTS INSTALLATION

## 4.3. LATERAL TUBE INSTALLATION



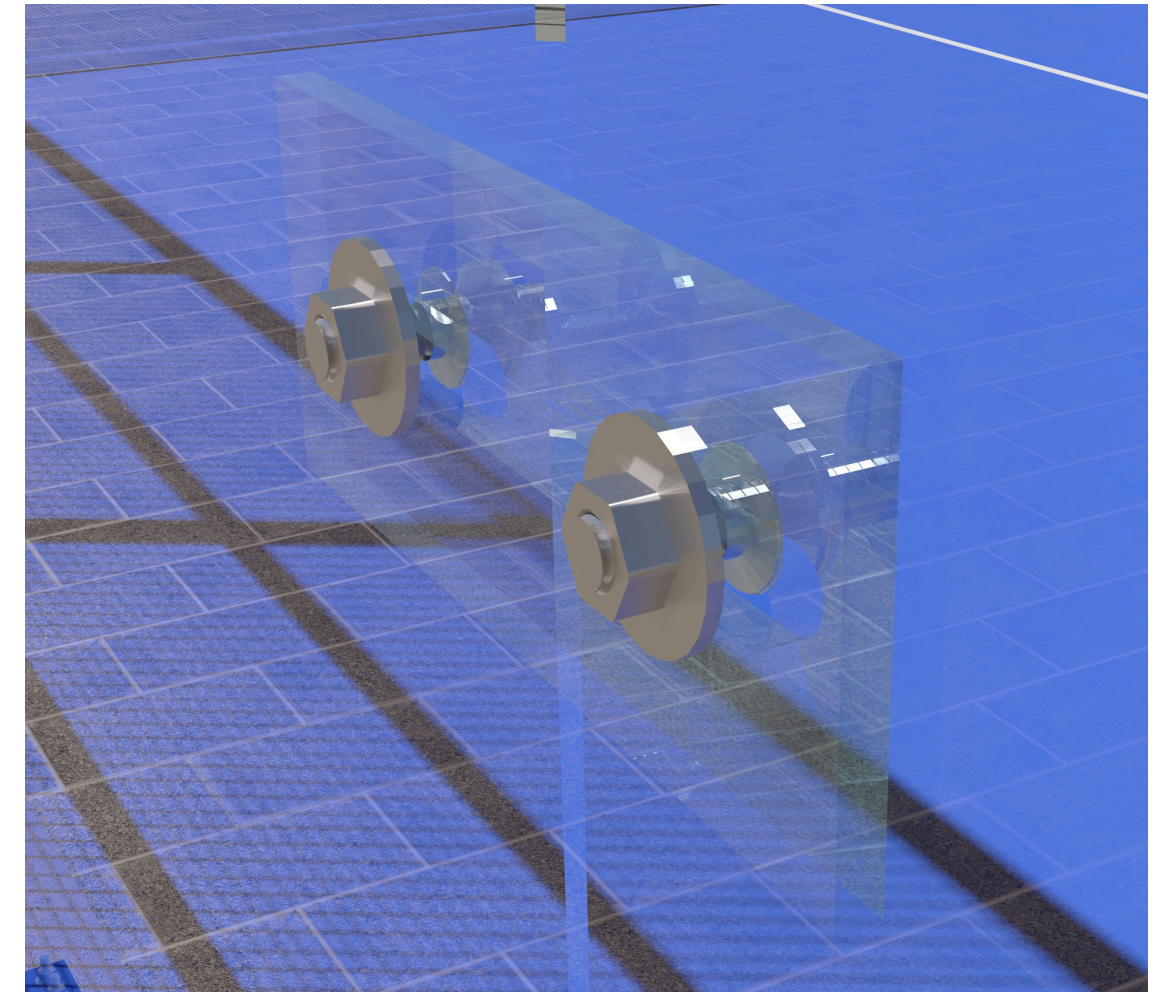
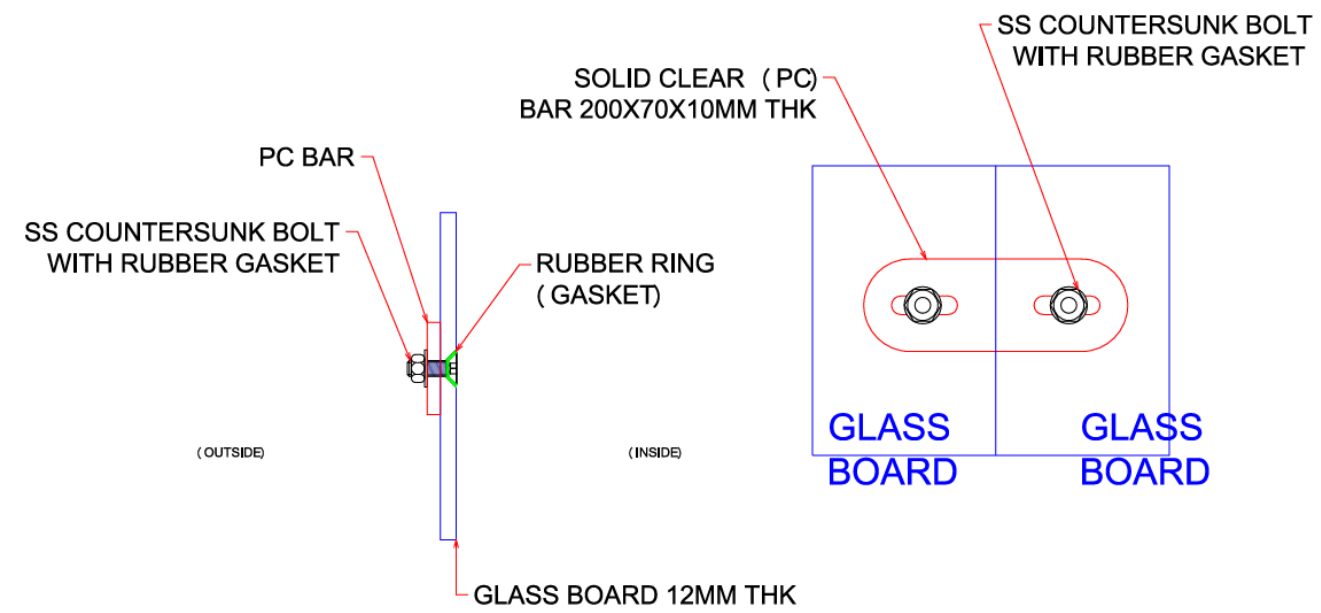
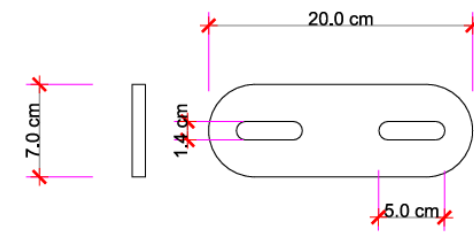
# 4 - COMPONENTS INSTALLATION

## 4.4. TEMPERED GLASS INSTALLATION



# 4-COMPONENTS INSTALLATION

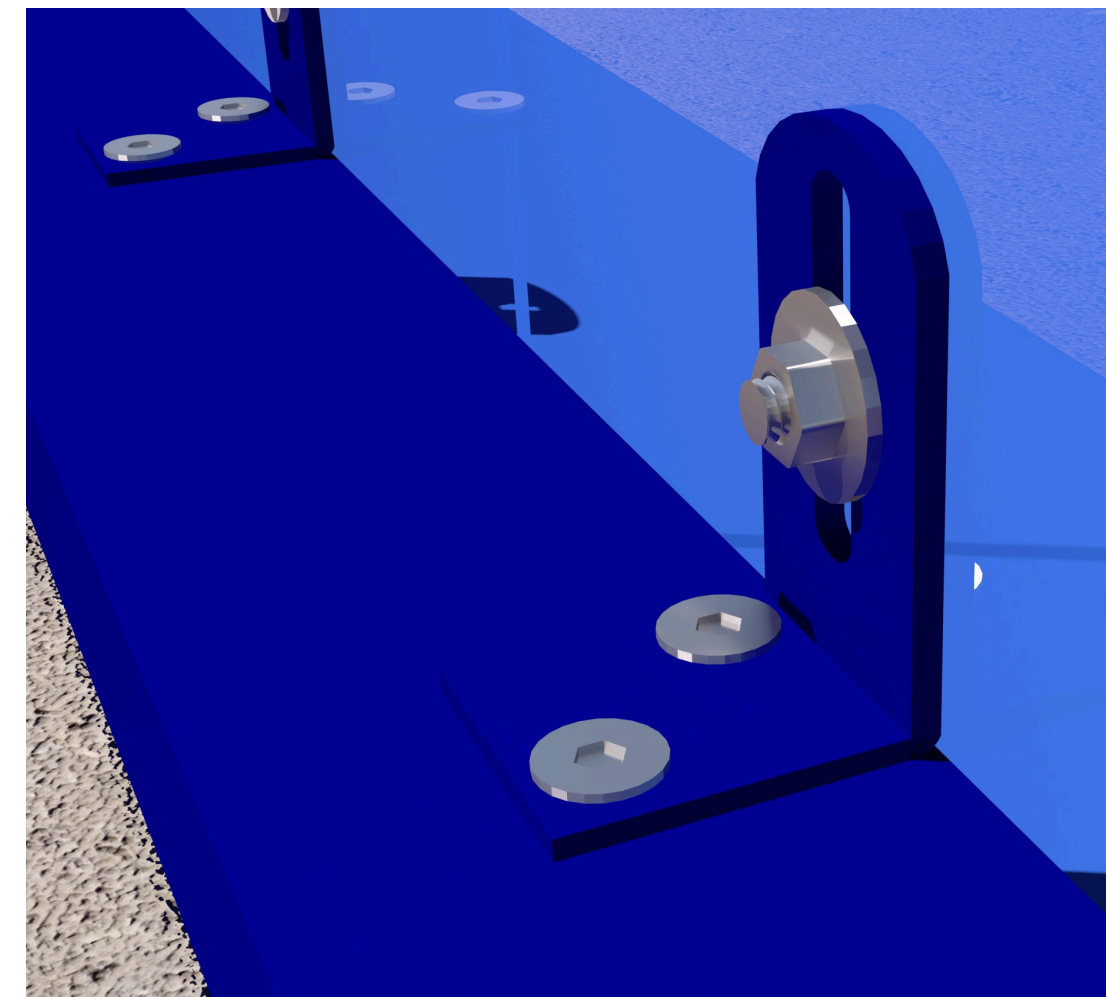
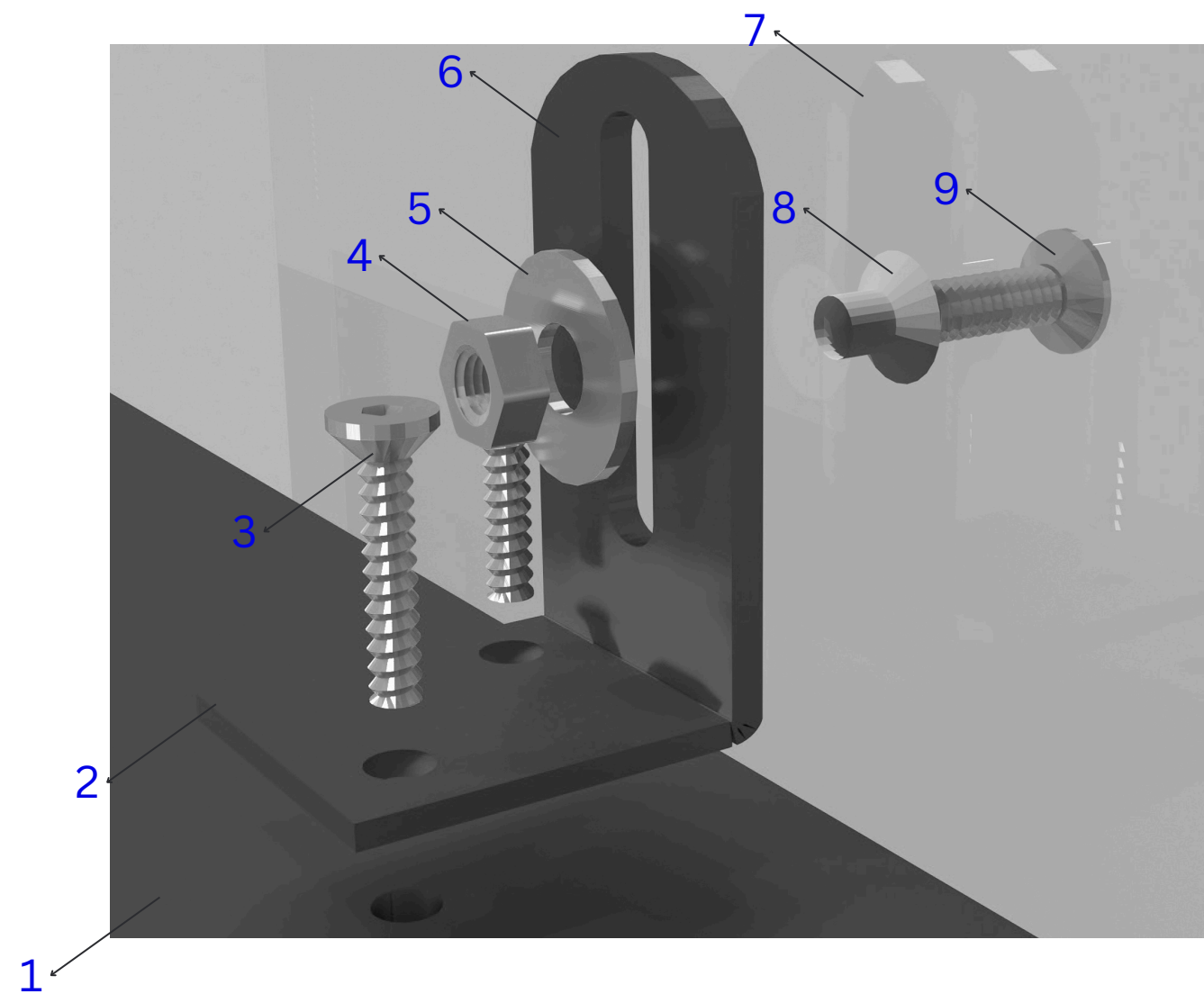
## 4.4. TEMPERED GLASS INSTALLATION





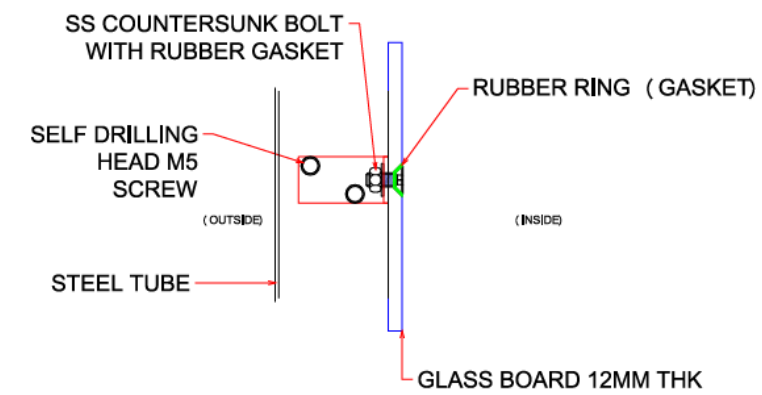
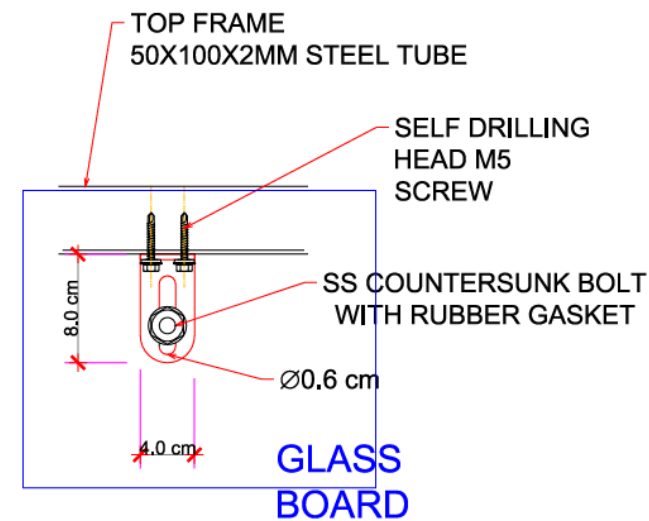
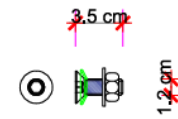
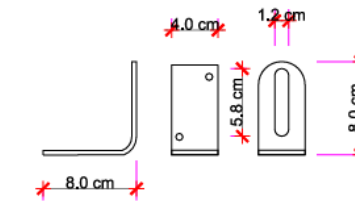
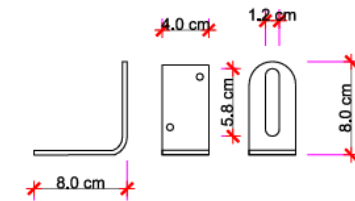
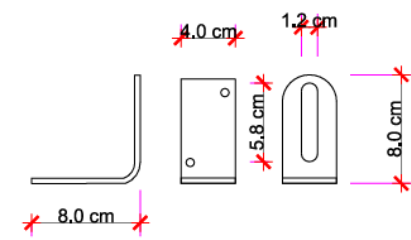
# 4 - COMPONENTS INSTALLATION

## 4.4. TEMPERED GLASS INSTALLATION

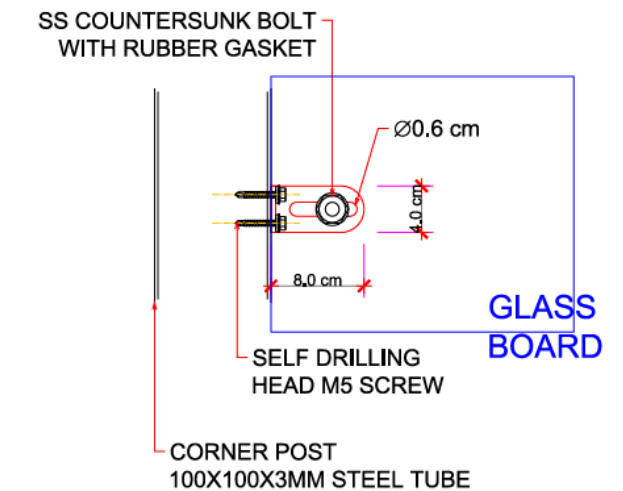


# 4 - COMPONENTS INSTALLATION

## 4.4. TEMPERED GLASS INSTALLATION



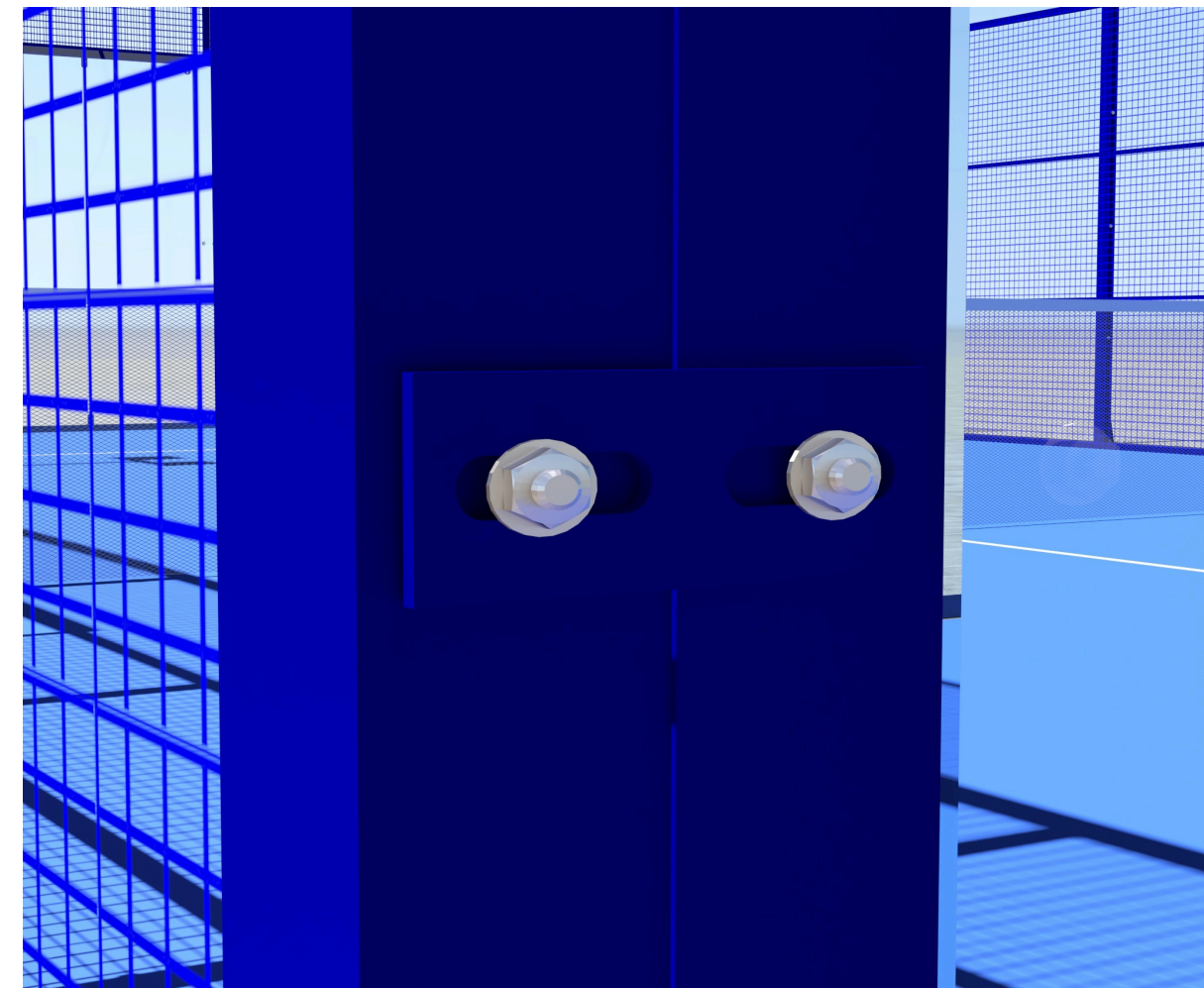
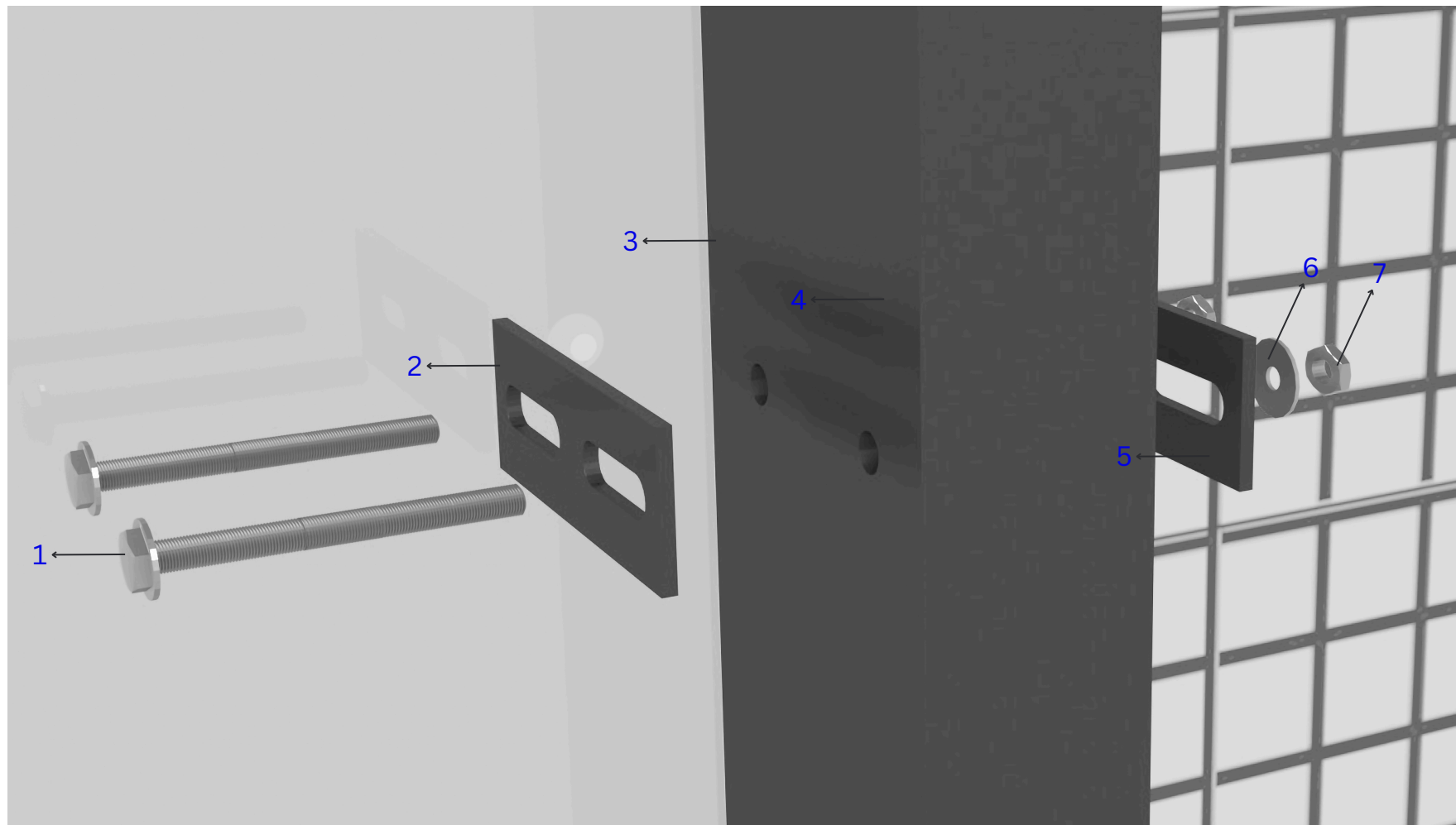
SIDE



FRONT

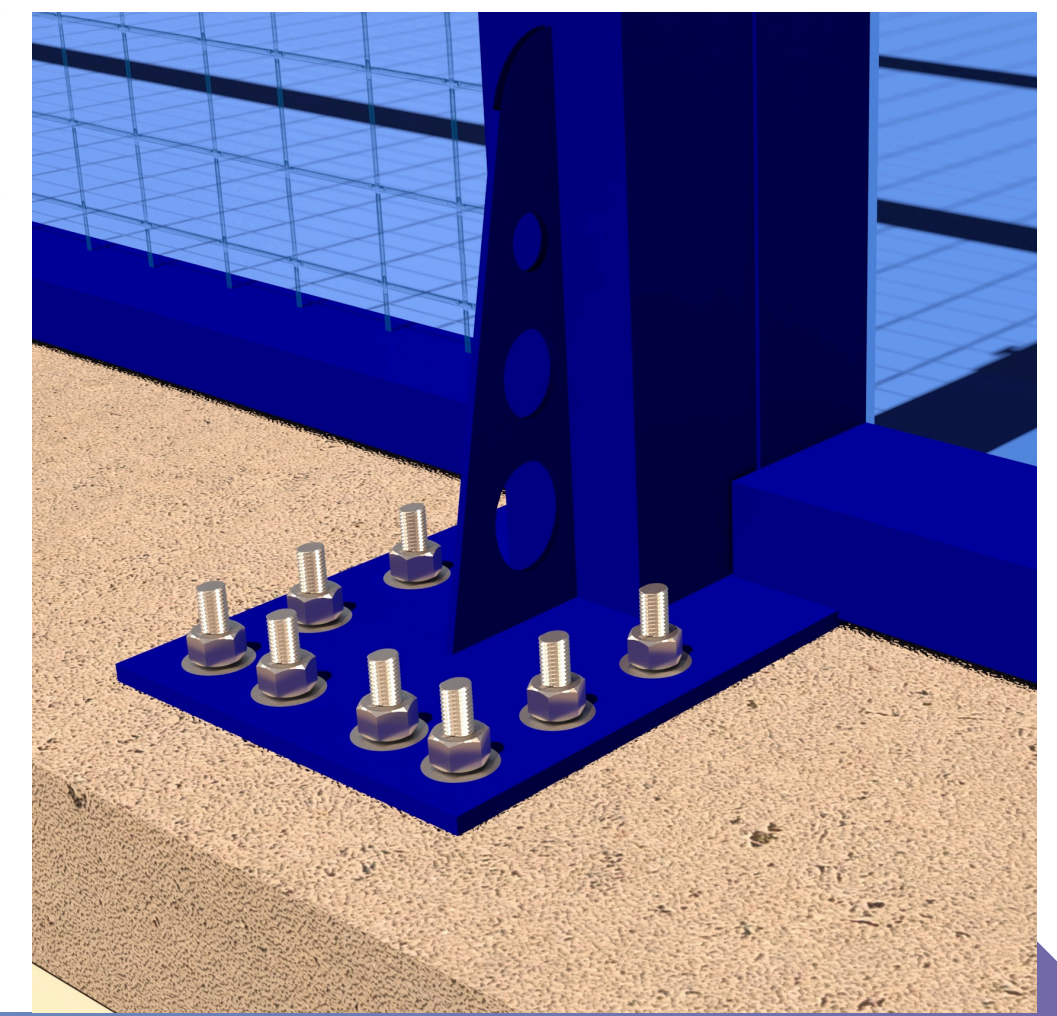
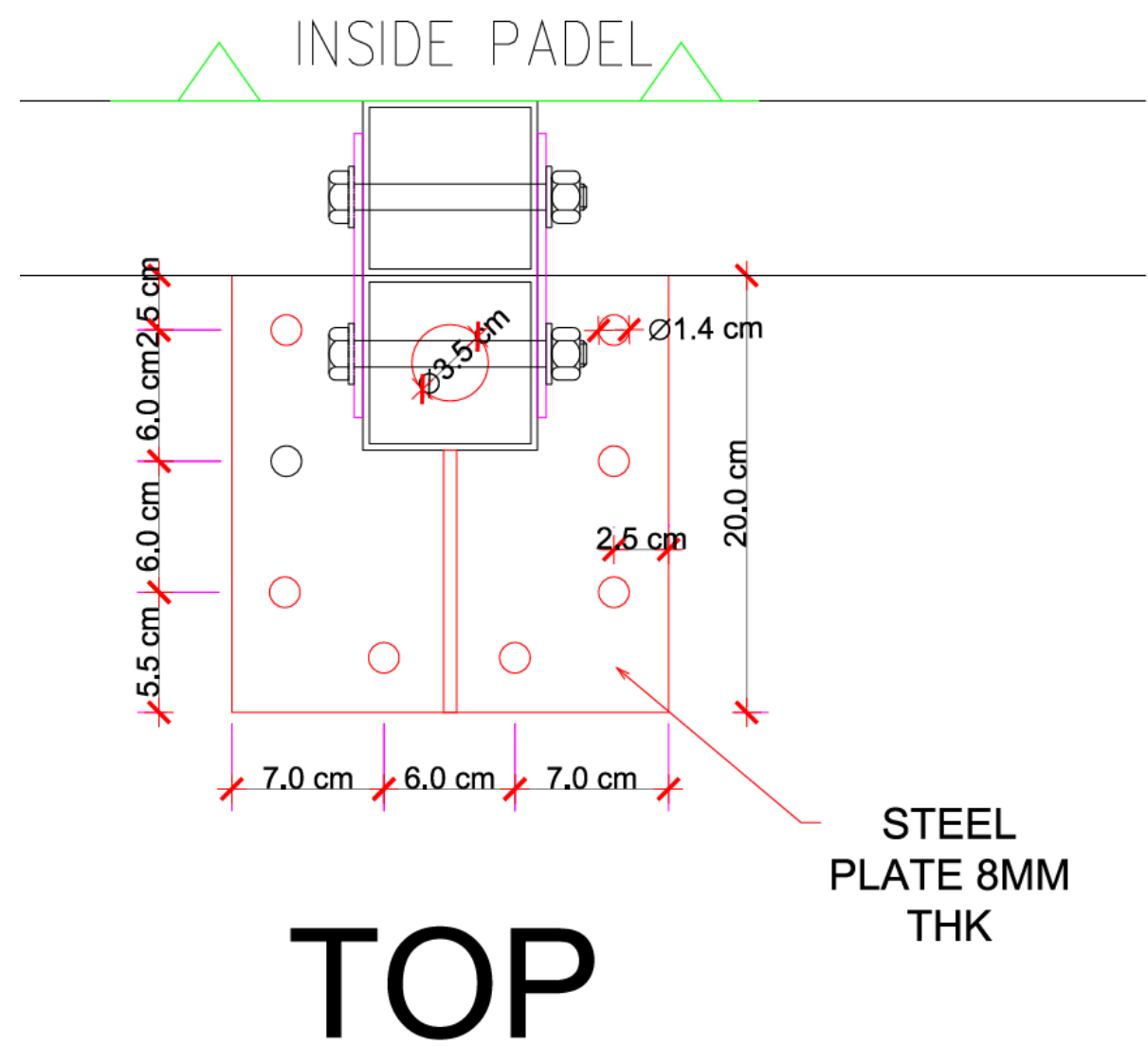
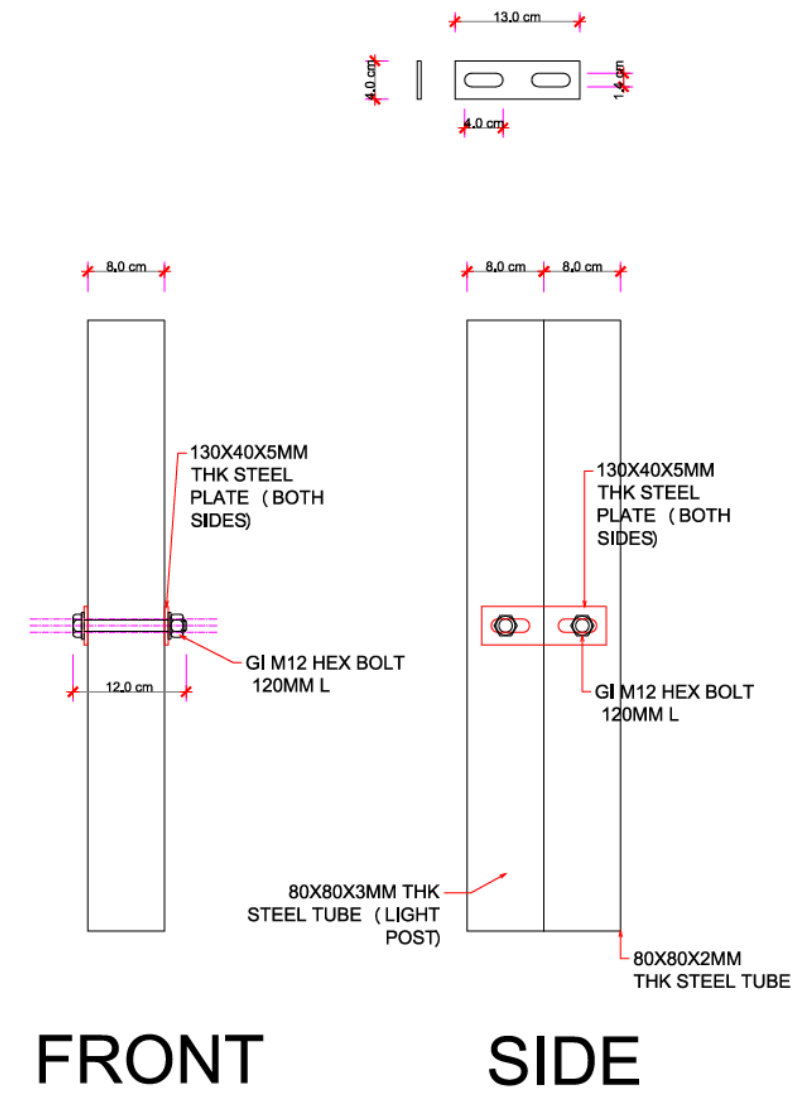
# 4-COMPONENTS INSTALLATION

## 4.5. LIGHT POST INSTALLATION



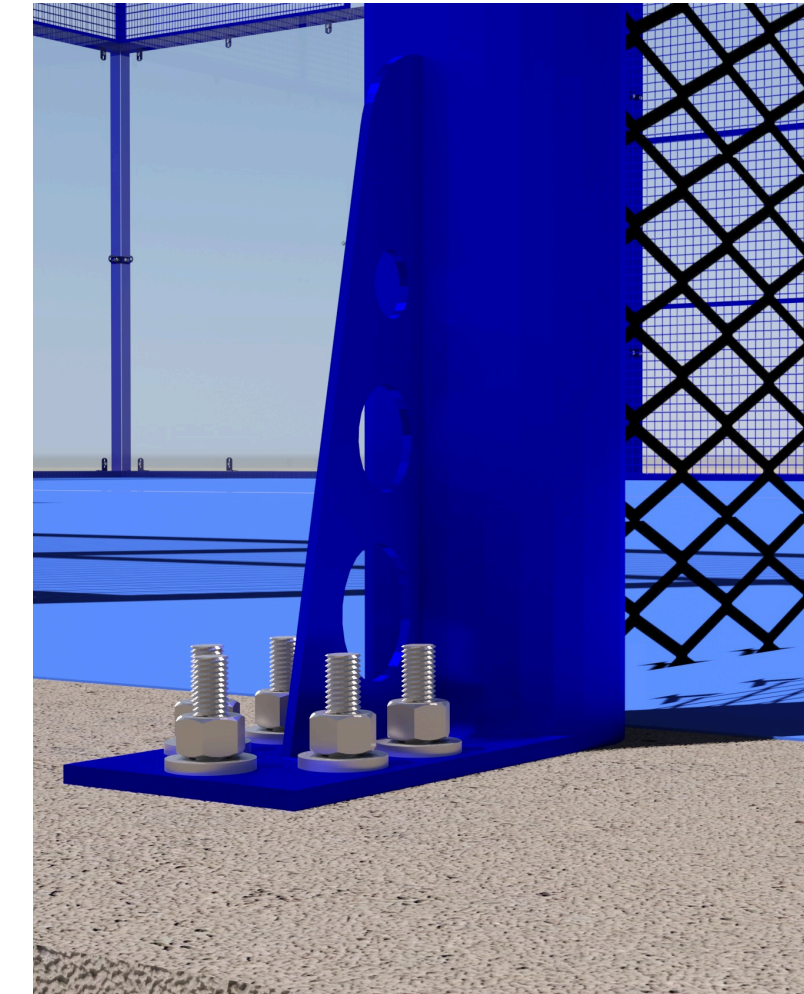
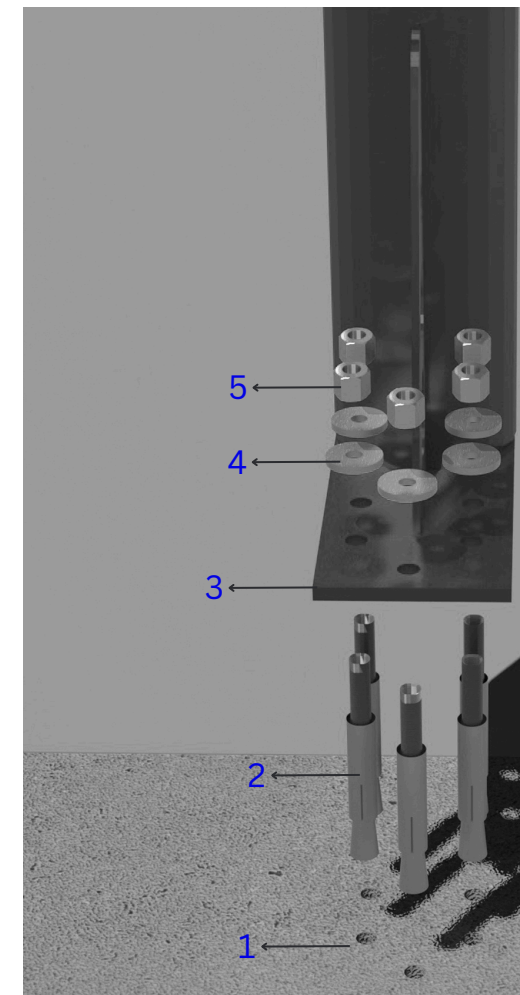
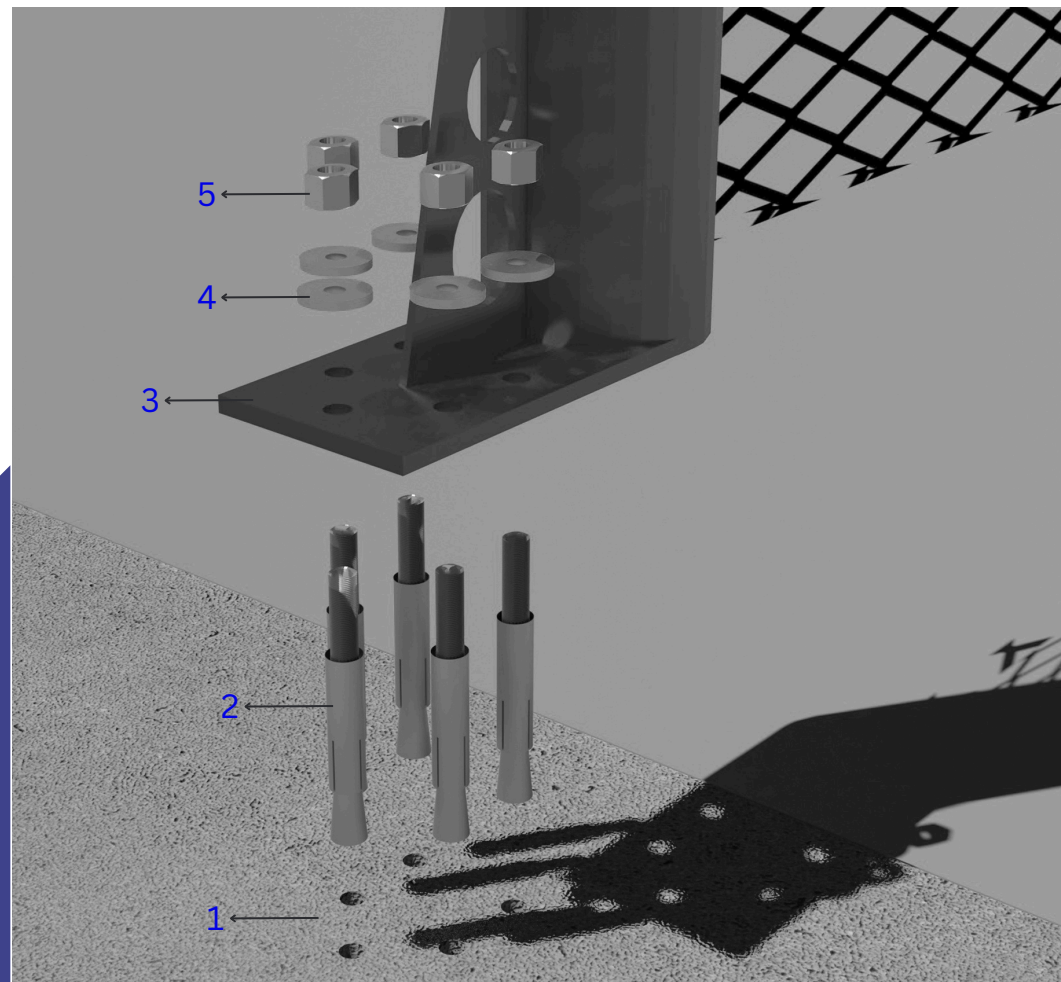
# 4-COMPONENTS INSTALLATION

## 4.5. LIGHT POST INSTALLATION



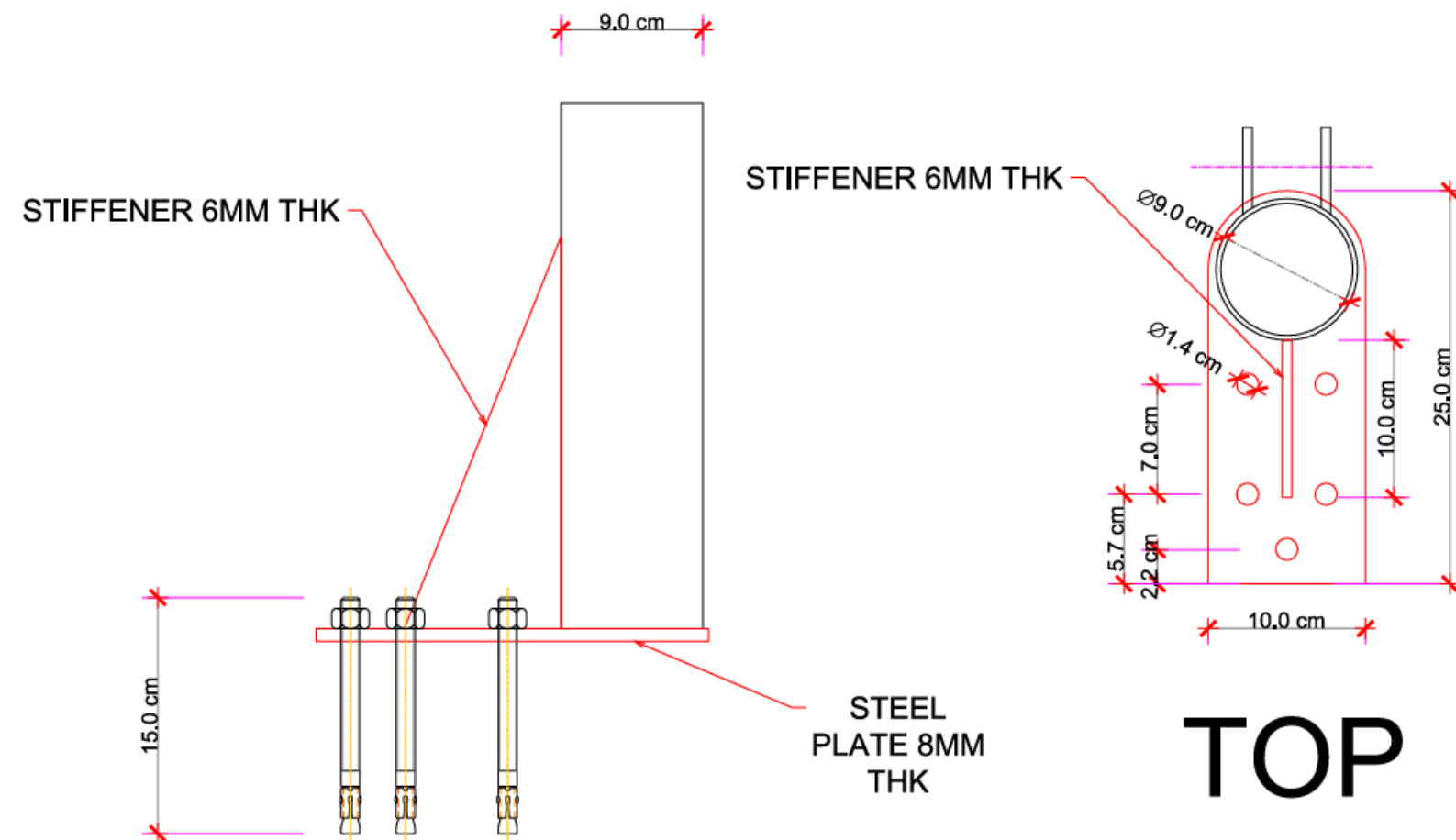
# 4-COMPONENTS INSTALLATION

## 4.6. NET INSTALLATION



# 4-COMPONENTS INSTALLATION

## 4.6. NET INSTALLATION



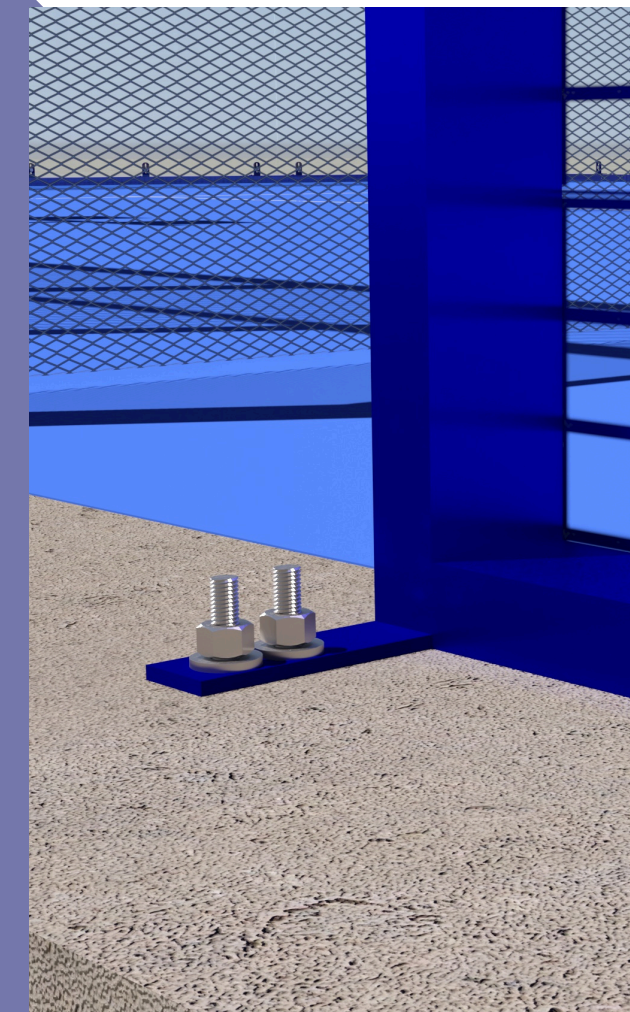
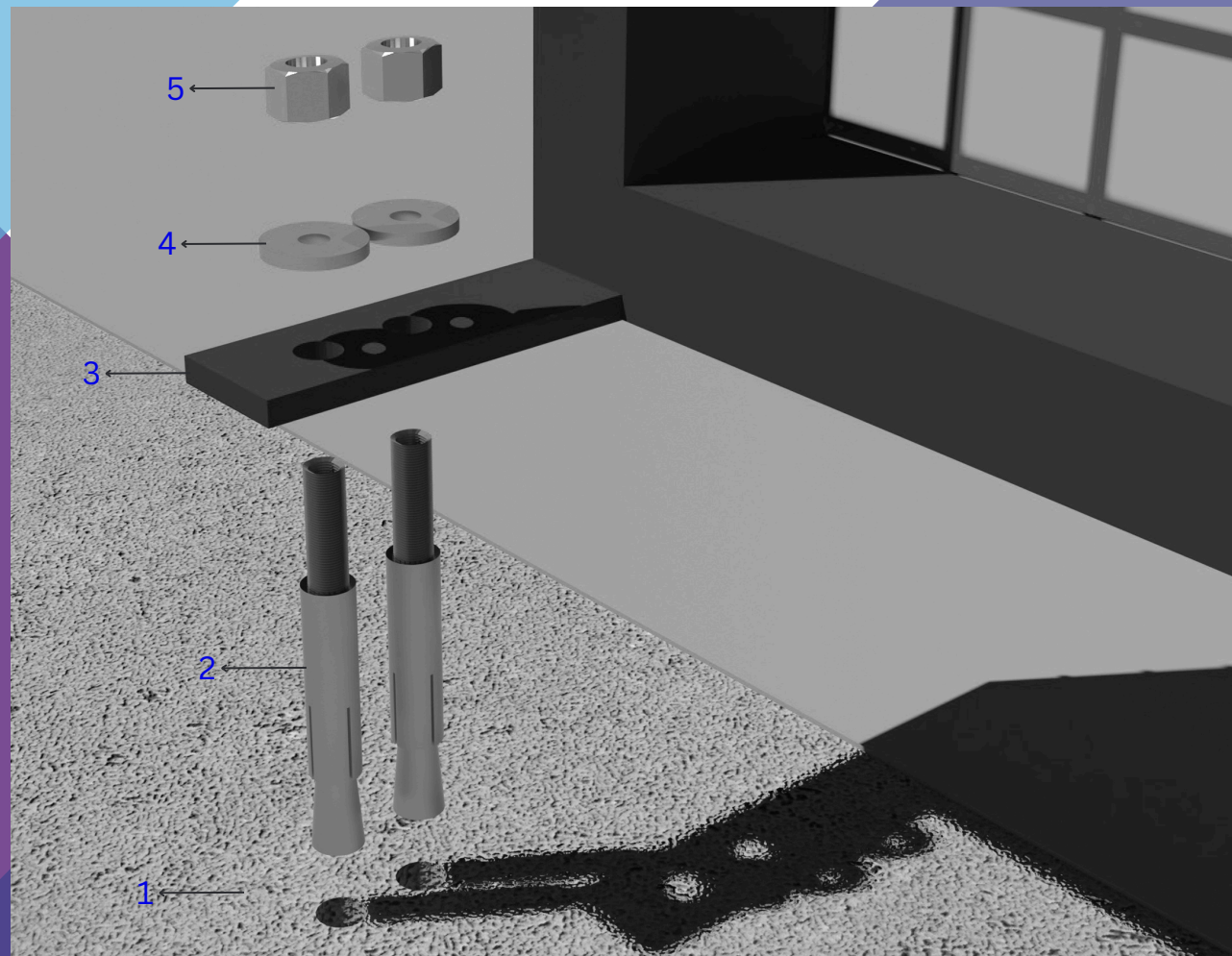
# 4-COMPONENTS INSTALLATION

## 4.6. NET INSTALLATION



# 4-COMPONENTS INSTALLATION

## 4.7.ADDITIONAL INSTALLATION





# 4 - COMPONENTS INSTALLATION

## 4.7. ADDITIONAL INSTALLATION

